

ITEM NO.	DESCRIPTION	PART NUMBER	QTY
1	O-Ring	23-1354	1
2	Ball, Bearing	40-0104	1
3	Washer, RV-75	40-0161	1
4	Thread Guard, RV-75	40-0162	1
5	Ball Guide - RV-75	40-0733	1
6	Seat, RV-75	40-0734	1
7	Body, RV-75	40-0735	1
8	Spring	40-0737	1
9	Jam Nut, RV-75	50-0062	1
10	Set Screw, Cup	50-0217	1

Repair Kits are not available.

Model No	Part No.	Working Pressure	Set Pressure
RV-1250	40-1864	1000 PSIG	1250 PSIG
RV-1750	40-1647	1500 PSIG	1750 PSIG
RV-2250	40-1865	2000 PSIG	2250 PSIG
RV-3300	40-1646	3000 PSIG	3300 PSIG
RV-3500	40-2197	3250 PSIG	3500 PSIG
RV-5500	40-1648	5000 PSIG	5500 PSIG

Tamper Proof: Add "-TP" to Part No (Example: 40-1647-TP)

Tamper Proof w/ Tag: Add "-TPT" to Part No.

(Contact factory for other pressure ratings)

Material:

- Body & Thread Guard: Zinc Plated Carbon Steel
- Seat & Ball: Hardened 400-series Stainless Steel
- Ball Guide: 400 SS
- Spring: Steel (Chrome Silicon Alloy)
- O-Ring: Nitrile

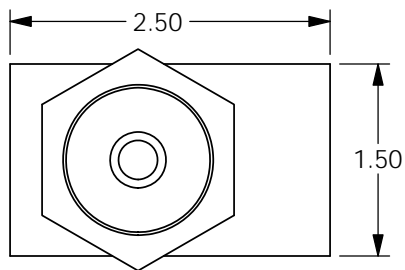
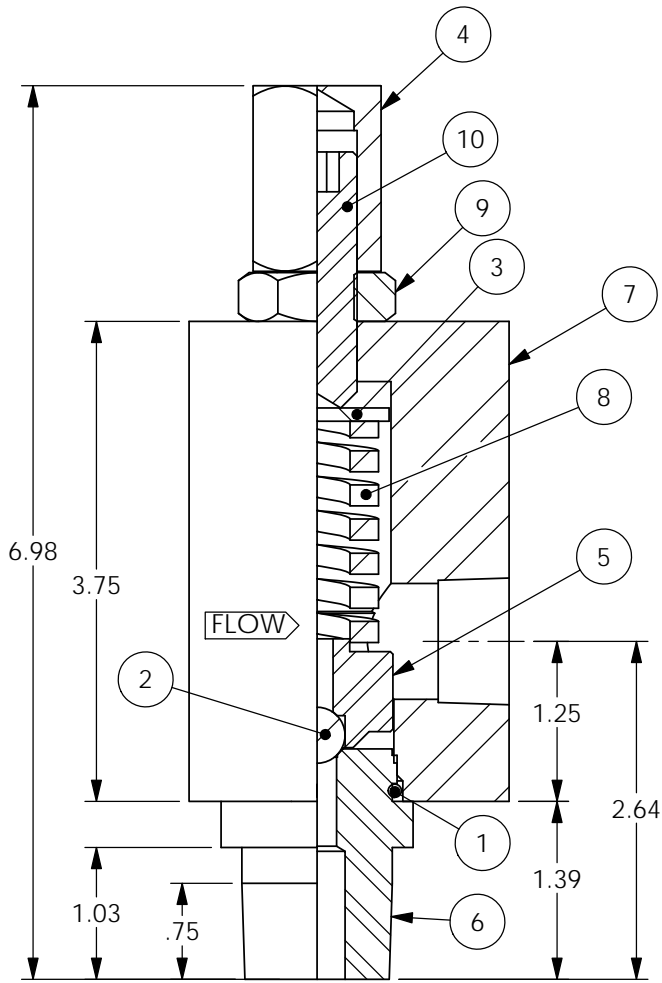
Inlet - 3/4" NPT Male

Outlet - 3/4" NPT Female

Cv = 2.0

Rated Flow = 15 GPM (@ 60 ft/ sec)

Temperature Rating: -65° TO 250°F



PACSEAL HYDRAULICS INC.

VALVES, ACCUMULATORS, CONTROLS

PROPRIETARY AND CONFIDENTIAL

THE INFORMATION CONTAINED IN THIS DRAWING IS THE SOLE PROPERTY OF PacSeal Hydraulics. ANY REPRODUCTION IN PART OR AS A WHOLE WITHOUT THE WRITTEN PERMISSION OF PacSeal Hydraulics IS PROHIBITED.

SIZE
A

TITLE
Relief Valve,
Data Sheet

REV
2