

Model No. KR-200 N3DFSA

MAX INLET: 3000 PSI
 REGULATED OUTLET: 250-3000 PSI
 SPECIFIED FLOW: 300 GPM
 Cv OUTLET: 33.0
 Cv VENT: 4.1
 VENT PORT: (2) 1" NPT
 INLET PORTS (2): 1-1/4" NPT
 OUTLET PORT: 2" NPT
 OPERATOR: FAILSAFE AIR

MATERIALS:
 SEALING ELEMENTS: 400 SERIES SS
 BODY: 416 SS
 FLANGES: CARBON STL
 OPERATOR: CARBON STL
 BOLTS: STEEL (A574)
 O-RING / BACKUPS: NITRILE / TEFLON

TEMPERATURE RATING: -30°F TO 180°F

PROPRIETARY AND CONFIDENTIAL
 THE INFORMATION CONTAINED IN THIS DRAWING IS THE SOLE PROPERTY OF PacSeal Hydraulics.
 ANY REPRODUCTION IN PART OR AS A WHOLE WITHOUT THE WRITTEN PERMISSION OF PacSeal Hydraulics IS PROHIBITED.

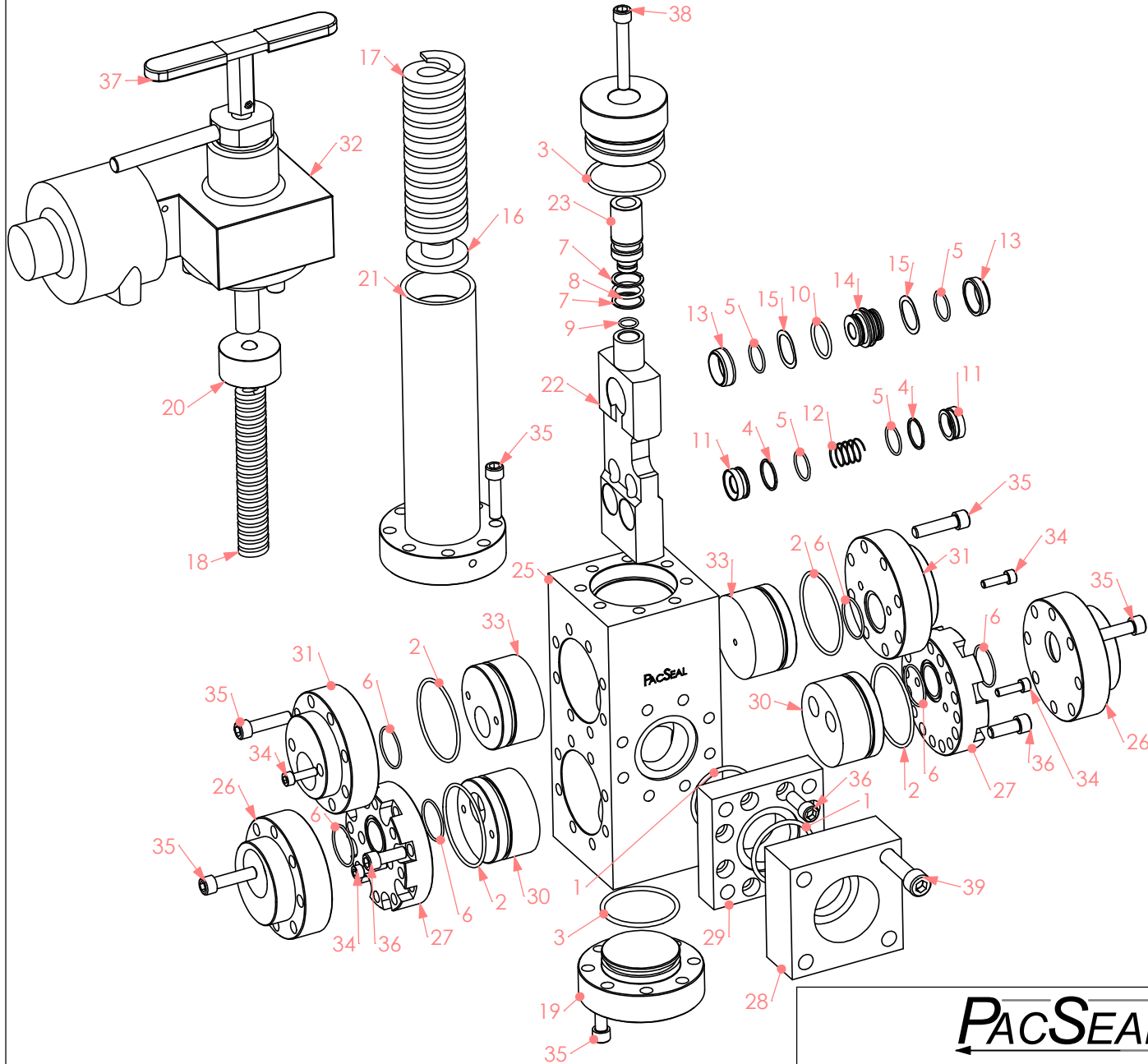
NOTE:

1. TURN CLOCKWISE TO LOCK FOR FAILSAFE AIR OPERATION
2. TURN COUNTER-CLOCKWISE TO UNLOCK FOR MANUAL OPERATION

PacSeal Hydraulics Inc.

VALVES, ACCUMULATORS, CONTROLS

TITLE	SIZE	DWG. NO.	REV
KR-200 FSA Regulator FailSafe Air Operator	A	40-2059	3
SCALE: 1:6		WEIGHT: 108.0	SHEET 1 OF 2



ITEM NO.	PART NUMBER	DESCRIPTION	QTY.
1	23-1126	O-Ring	2
2	23-1263	O-Ring	4
3	23-1319	O-Ring	2
4	23-1322	Backup Ring	4
5	23-1323	O-Ring	6
6	23-1325	O-Ring	6
7	23-1331	Backup Ring	2
8	23-1332	O-Ring	1
9	23-1333	O-Ring	1
10	23-1334	O-Ring	1
11	40-0014	Seal Ring,	4
12	40-0110	Spring	2
13	40-0113	Seal Ring- Vent	2
14	40-0114	Valve, Cage	1
15	40-0115	Wave Spring	2
16	40-0134	Spring Plate	1
17	40-0143	Spring, Outer	1
18	40-0144	Spring, Inner	1
19	40-0197	Flange, Lower	1
20	40-0300	Spring Guide	1
21	40-0383	Ajstment Head	1
22	40-0714	Seal Container, KR-150	1
23	40-0717	Piston, Manual	1
24	40-0718	Piston Guide, Manual	1
25	40-1343	Body, KR-200	1
26	40-1344	Flange, Inlet	2
27	40-1345	Adapter, Inlet Flange	2
28	40-1346	Flange, 2" NPT Outlet	1
29	40-1347	Adapter, Outlet Flange 2" NPT	1
30	40-1350	Flow Plate, Supply	2
31	40-1383	Flange, Inlet & Vent	2
32	40-1564	Actuator, KR FSA L.P.	1
33	40-2213	Flow Plate Vent, KR-200	2
34	50-0066	Bolt, SHCS	8
35	50-0069	Bolt, SHCS	48
36	50-0072	SHCS	24
37	50-0239	Grip, Handle	2
38	50-0331	SHCS	1
39	50-0340	SHCS	4

PacSeal HYDRAULICS INC.

VALVES, ACCUMULATORS, CONTROLS

PROPRIETARY AND CONFIDENTIAL
 THE INFORMATION CONTAINED IN THIS DRAWING IS THE SOLE PROPERTY OF PacSeal Hydraulics. ANY REPRODUCTION IN PART OR AS A WHOLE WITHOUT THE WRITTEN PERMISSION OF PacSeal Hydraulics IS PROHIBITED.

TITLE
**KR-200 FSA Regulator
 FailSafe Air Operator**

SIZE A	DWG. NO. 40-2059	REV 3
SCALE: 1:5	WEIGHT: 108.0	SHEET 2 OF 2