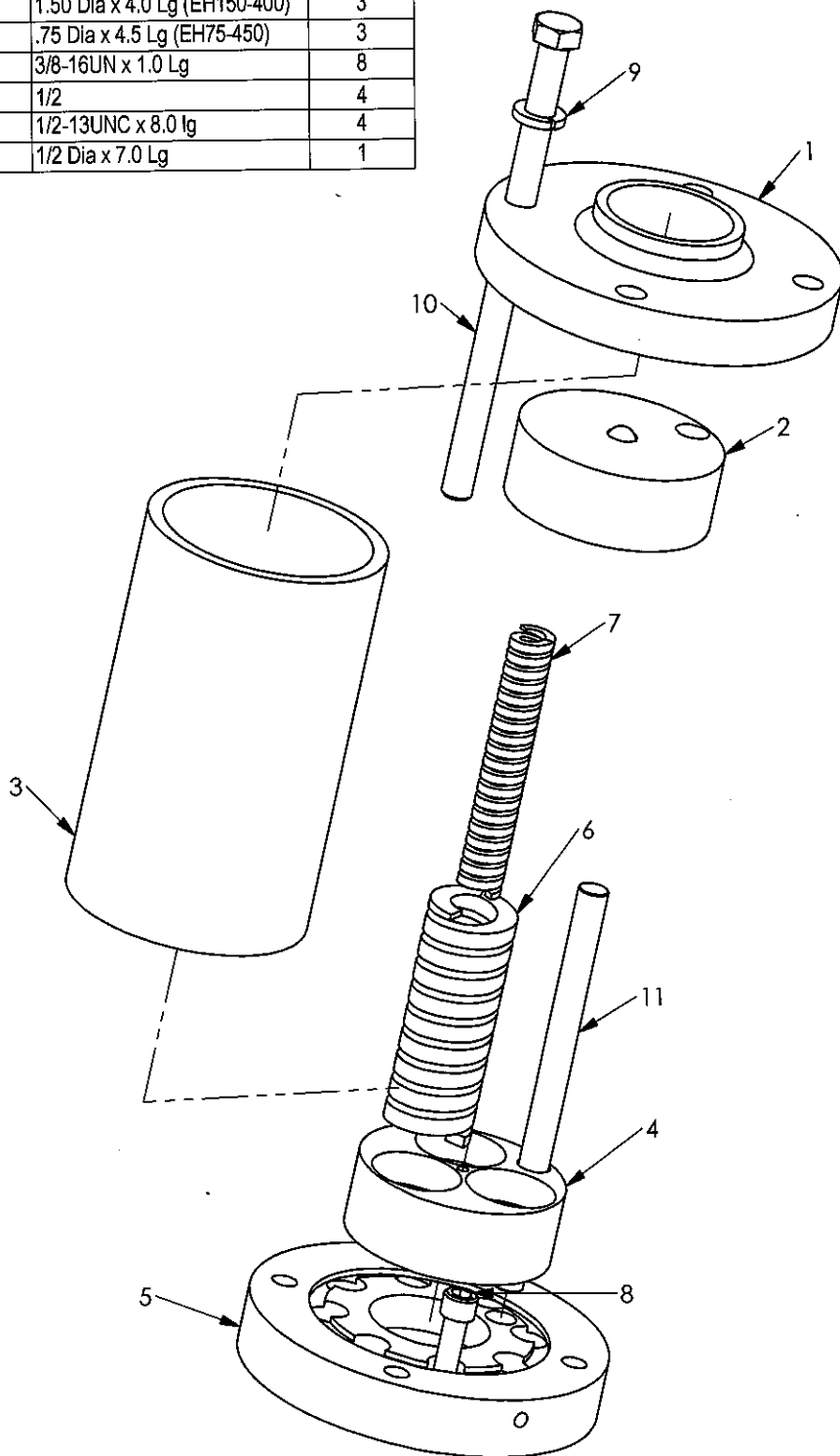
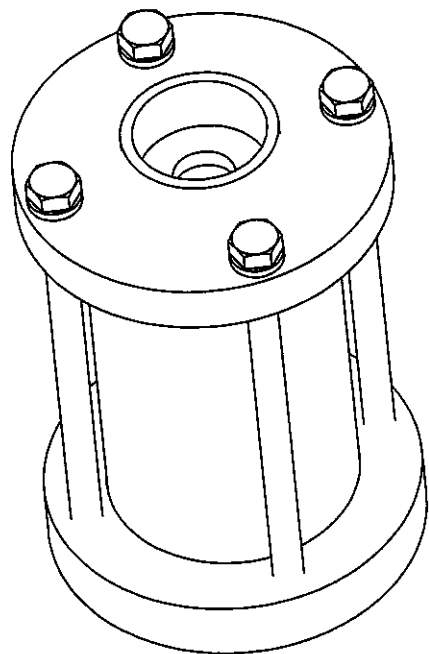


ITEM NO.	PART NUMBER	DESCRIPTION	StockSize	QTY.
1	40-2654	Plate, Upper Actuator	6.0 Dia x 1.3	1
2	40-2655	Plate, Upper Spring	3.45 Dia x 1.25	1
3	40-2656	Cylinder, Actuator	4.0 Dia x 6.56	1
4	40-2657	Plate, Lower Spring	3.45 Dia x 1.25	1
5	40-2658	Plate, Lower Actuator	6.0 Dia x 1.0	1
6	40-2659	Spring, Outer	1.50 Dia x 4.0 Lg (EH150-400)	3
7	40-2660	Spring, Inner	.75 Dia x 4.5 Lg (EH75-450)	3
8	50-0072	SHCS	3/8-16UN x 1.0 Lg	8
9	50-0104	Lock Washer	1/2	4
10	50-0434	Bolt	1/2-13UNC x 8.0 lg	4
11	50-0435	Rod	1/2 Dia x 7.0 Lg	1



PACSEAL HYDRAULICS INC.

VALVES, ACCUMULATORS, CONTROLS

PROPRIETARY AND CONFIDENTIAL

THE INFORMATION CONTAINED IN THIS DRAWING IS THE SOLE PROPERTY OF PacSeal Hydraulics. ANY REPRODUCTION IN PART OR AS A WHOLE WITHOUT THE WRITTEN PERMISSION OF PacSeal Hydraulics IS PROHIBITED.

TITLE: KR-75/140/150 L-HP
Manual Operator

SIZE DWG. NO.

A

40-2927

REV

1

SCALE: 1:3 WEIGHT: 28.2

SHEET 1 OF 1

40-2927