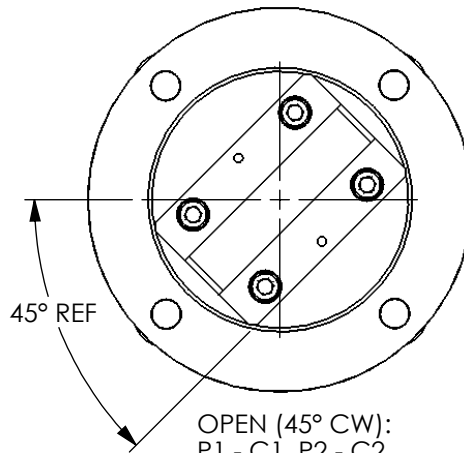


CLOSED  
(P1 & P2 BLOCKED), C1 & C2 DRAIN TO TANK)



1/4" (#4) SAE PORT (1 PL)  
(CASE DRAIN TO TANK, 250 PSI MAX)

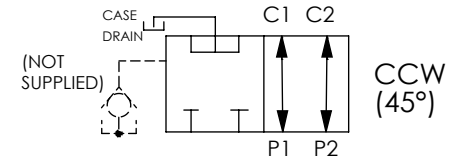
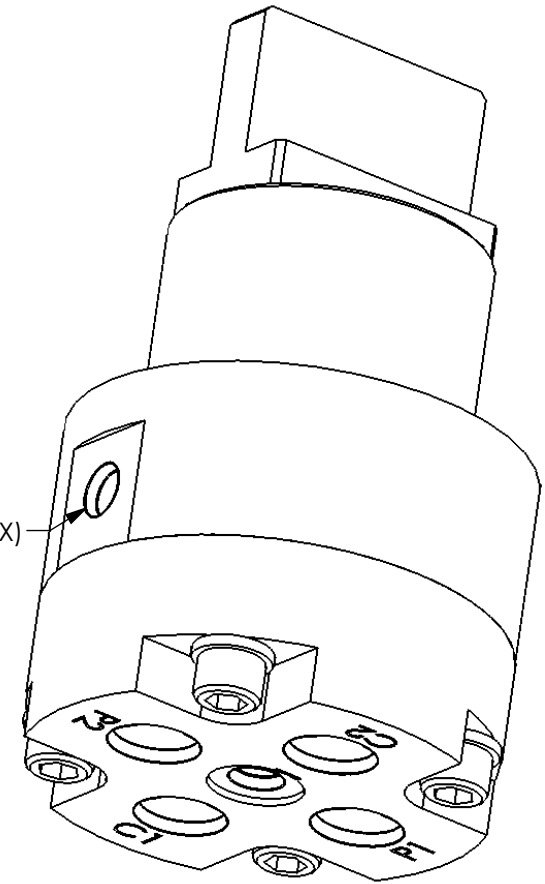
-W.P. : 3000 PSI ALL PORTS  
CASE DRAIN TO TANK: 250 PSI  
-Cv : 3.2

-SERVICE: SUBSEA SERVICE

-MATERIALS:  
EXTERNAL: 316 SS  
INTERNAL (SEALING): 440c, 416, 316  
INTERNAL (NON SEALING):  
CARBON STEEL, BRONZE

-ELASTOMERS: NITRILE, TEFLON

-MAX ACTUATION TORQUE: API 17D Class1 (50 ft\*lbs)  
- ROTOR: Manipulator



2-POSITION DETENTED OPERATION

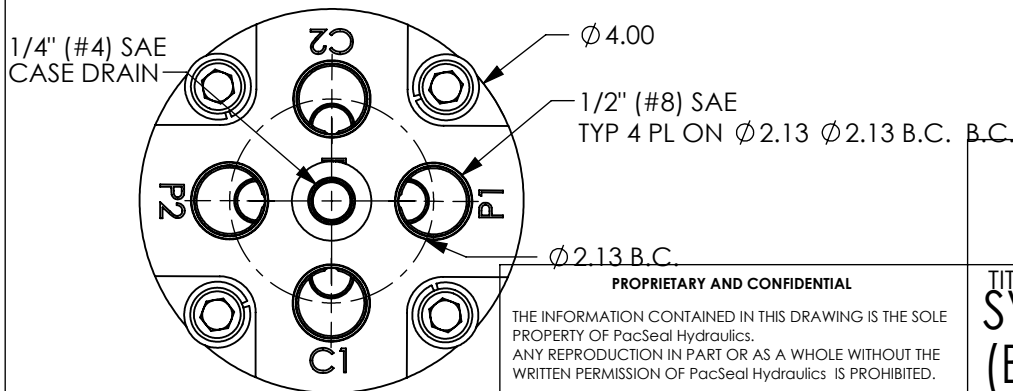
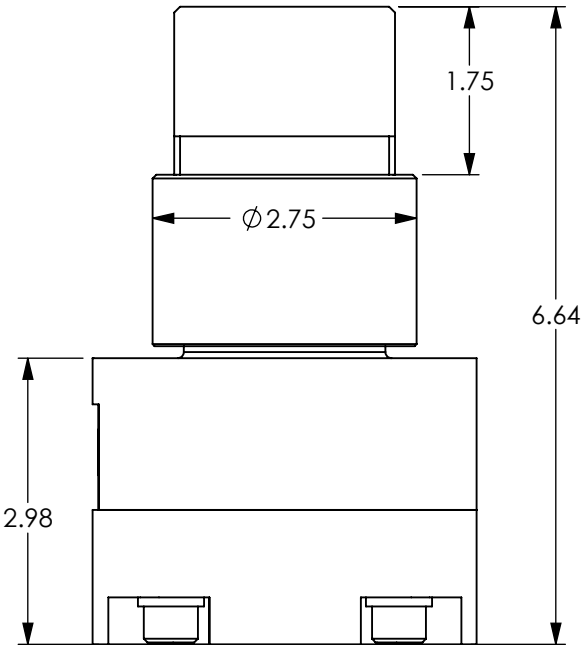
MODEL No. SVS-50 3M3PN

**PacSeal HYDRAULICS INC.**

VALVES, ACCUMULATORS, CONTROLS

TITLE  
SVS-50 Manipulator,  
(Body Case Drain)

SIZE <b>A</b>	DWG. NO. <b>40-2928</b>	REV <b>A</b>
SCALE: 1:2	Weight: 12.9	SHEET 1 OF 2



PROPRIETARY AND CONFIDENTIAL

THE INFORMATION CONTAINED IN THIS DRAWING IS THE SOLE PROPERTY OF PacSeal Hydraulics. ANY REPRODUCTION IN PART OR AS A WHOLE WITHOUT THE WRITTEN PERMISSION OF PacSeal Hydraulics IS PROHIBITED.

