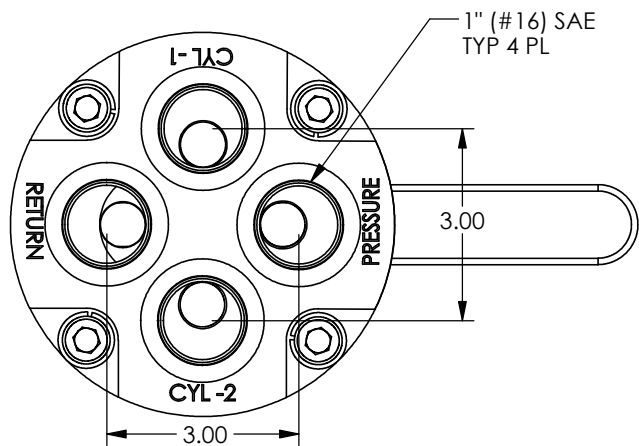
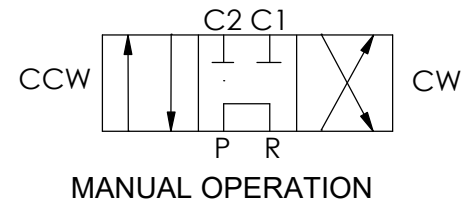


- W.P. : 3000 PSI ON PORTS: P, C1 & C2  
RETURN PORT: 250 PSI
- SERVICE: TOPSIDE SERVICE
- MATERIALS:  
EXTERNAL: 316 SS  
INTERNAL: 440c, 416, 316  
INTERNAL (NON SEALING): BRONZE  
-ELASTOMERS: VITON, TEFLON  
-MAX ACTUATION TORQUE: API 17D Class1 (50 ft\*lbs)



MODEL NO: **SVT-100 301MV**  
 ROTOR: Open Center  
 ALL PORTS: 1" (#16) SAE  
 WORKING PRESSURE: 3000 PSI  
 RETURN PORT: 250 PSI MAX  
 Cv: 9.2  
 Flow (GPM): 75  
 TEMP RATING: -40° TO 250°F



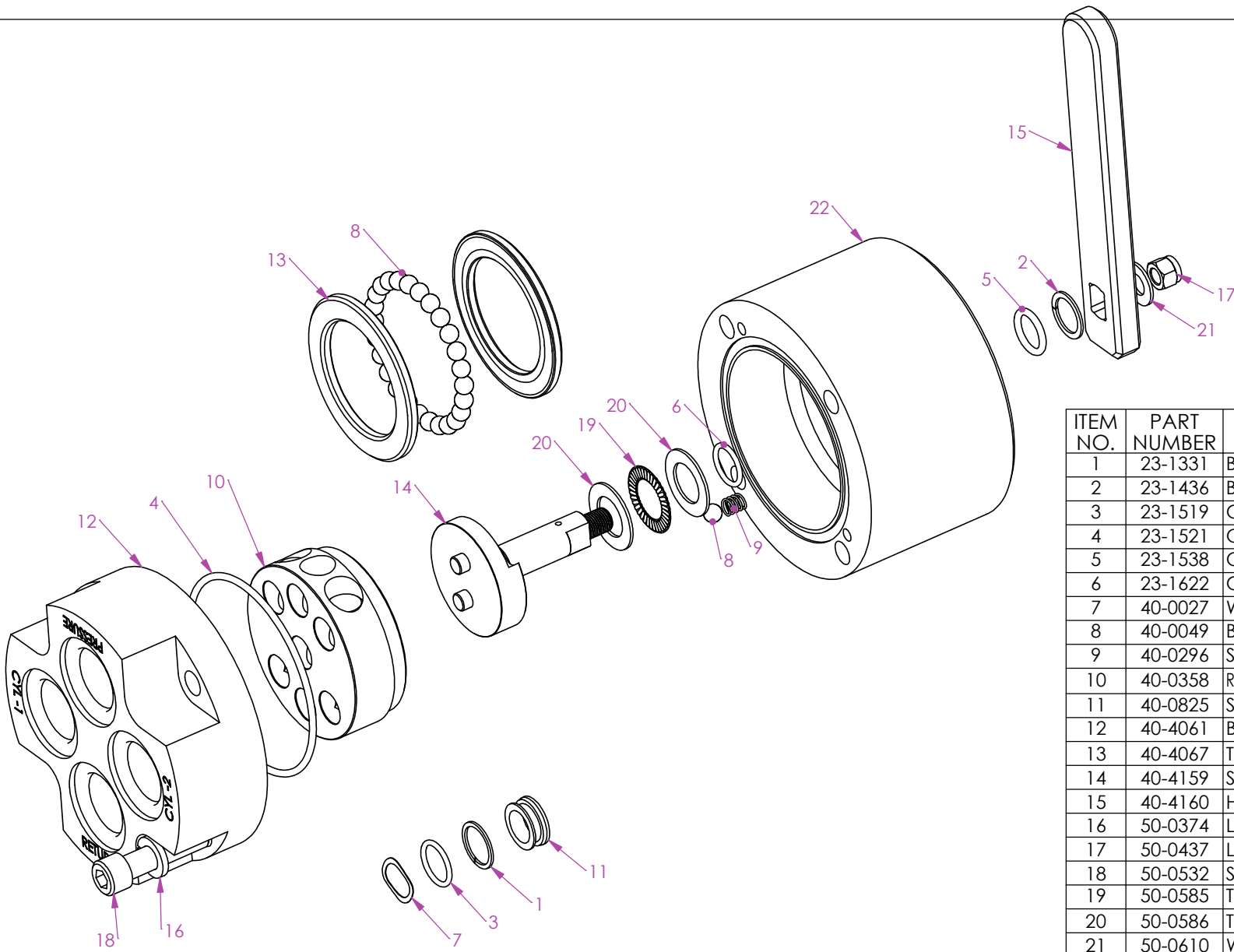
# PacSeal Hydraulics Inc.

VALVES, ACCUMULATORS, CONTROLS

**PROPRIETARY AND CONFIDENTIAL**  
 THE INFORMATION CONTAINED IN THIS DRAWING IS THE SOLE PROPERTY OF PacSeal Hydraulics. ANY REPRODUCTION IN PART OR AS A WHOLE WITHOUT THE WRITTEN PERMISSION OF PacSeal Hydraulics IS PROHIBITED.

TITLE  
 Valve, SVT-100 Open Center  
 Viton O-Rings

SIZE <b>A</b>	DWG. NO. <b>40-4158</b>	REV <b>2</b>
SCALE: 1:3	WEIGHT: 41.0	SHEET 1 OF 2



ITEM NO.	PART NUMBER	DESCRIPTION	QTY.
1	23-1331	Backup Ring	3
2	23-1436	Backup Ring	1
3	23-1519	O-Ring	3
4	23-1521	O-Ring	1
5	23-1538	O-Ring	1
6	23-1622	O-Ring	1
7	40-0027	Wave Spring	3
8	40-0049	Ball, Bearing	27
9	40-0296	Spring	1
10	40-0358	Rotor, Open Center SV-100	1
11	40-0825	Seal Ring	3
12	40-4061	Body, SVS-100 /6k	1
13	40-4067	Thrust Washer, SVS-100	2
14	40-4159	Shaft, SVT-100	1
15	40-4160	Handle, SVT-100	1
16	50-0374	Lock Washer	4
17	50-0437	Locknut, 316SS	1
18	50-0532	SHCS	4
19	50-0585	Thrust Bearing	1
20	50-0586	Thrust Washer	2
21	50-0610	Washer, Shaft	1
22	40-4161	Housing, Rotor SVT-100	1

# PacSeal Hydraulics Inc.

VALVES, ACCUMULATORS, CONTROLS

**PROPRIETARY AND CONFIDENTIAL**  
 THE INFORMATION CONTAINED IN THIS DRAWING IS THE SOLE PROPERTY OF PacSeal Hydraulics. ANY REPRODUCTION IN PART OR AS A WHOLE WITHOUT THE WRITTEN PERMISSION OF PacSeal Hydraulics IS PROHIBITED.

TITLE	SIZE	DWG. NO.	REV
Valve, SVT-100 Open Center Viton O-Rings	<b>A</b>	<b>40-4158</b>	<b>2</b>
SCALE: 1:3	WEIGHT: 41.0	SHEET 2 OF 2	