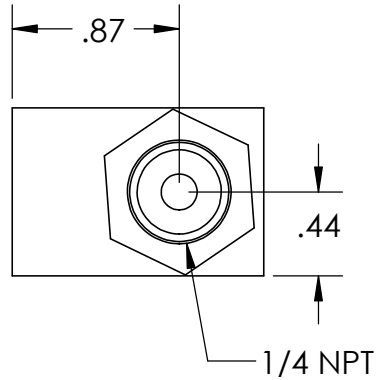
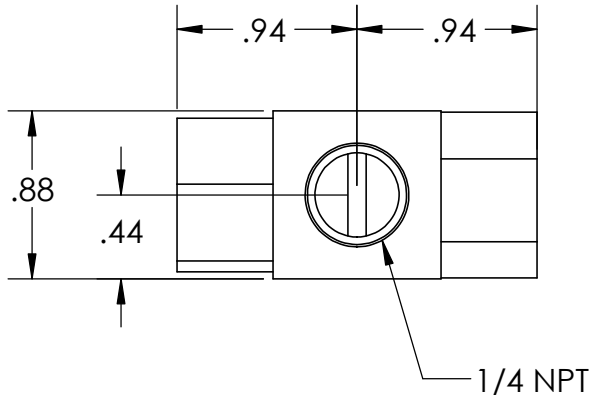
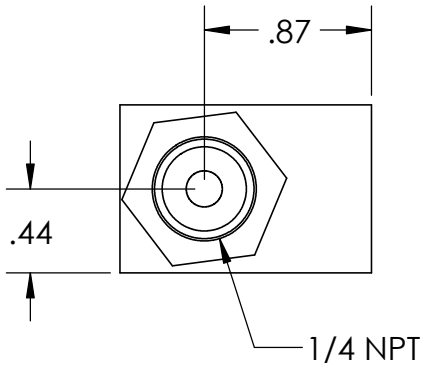
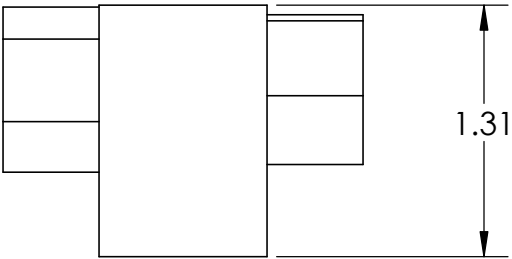


NOTES:

- 1. MATERIAL
  - i. BODY AND PORT - BRASS
  - ii. BALL - FLUOROCARBON
- 2. PRESSURE RATING
  - i. 150 PSI (AIR)



PROPRIETARY AND CONFIDENTIAL

THE INFORMATION CONTAINED IN THIS DRAWING IS THE SOLE PROPERTY OF PacSeal. ANY REPRODUCTION IN PART OR AS A WHOLE WITHOUT THE WRITTEN PERMISSION OF PacSeal Hydraulics IS PROHIBITED.

TITLE

40-1643 Shuttle Valve

SIZE

A

REV

1

SHEET 1 OF 1