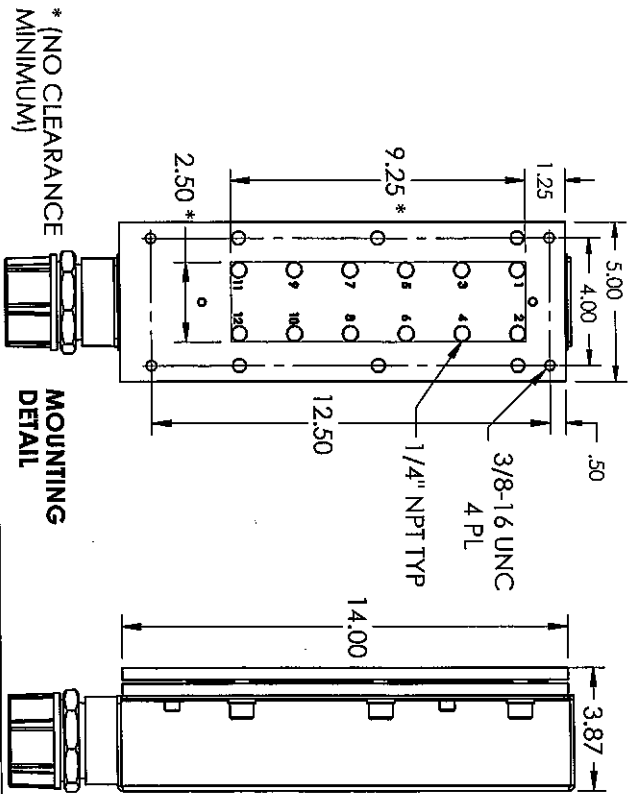
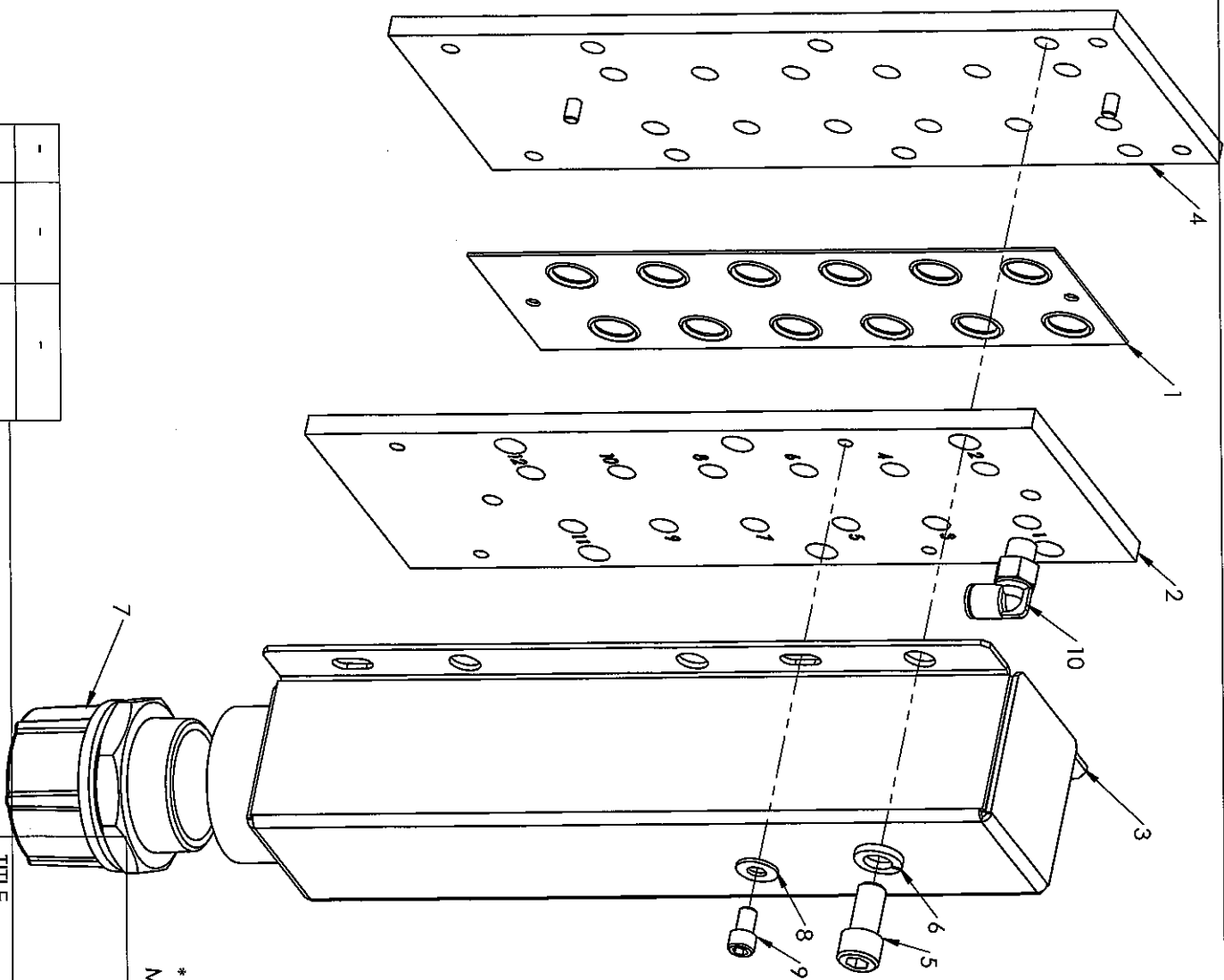


40-1611 AJ-12 Junction Box Assy

ITEM NO.	PART NUMBER	DESCRIPTION	QTY
1	40-0539	Gasket, #12 AJ-Box	1
2	40-0540	Hose Plate, AJ-12	1
3	40-0541	Hose Cover, AJ-12	1
4	40-1064	Fixed Plate, AJ-12	1
5	50-0007	SHCS	6
6	50-0104	Lock Washer	6
7	50-0200	Cable Grip	1
8	50-0243	Washer, Shaft	4
9	50-0244	SHCS	4
10	50-0540	Male Elbow, 1/4" NPT x 3/8"	12



* (NO CLEARANCE MINIMUM)

MOUNTING DETAIL

PACSEAL HYDRAULICS INC.

VALVES, ACCUMULATORS, CONTROLS

PROPRIETARY AND CONFIDENTIAL

THE INFORMATION CONTAINED IN THIS DRAWING IS THE SOLE PROPERTY OF Pacseal Hydraulics. ANY REPRODUCTION IN PART OR AS A WHOLE WITHOUT THE WRITTEN PERMISSION OF Pacseal Hydraulics IS PROHIBITED.

REV	ECN	DATE
-	-	-
C	#572	3/6/19

TITLE

AJ-12 Junction Box Assy
3/8" Tubes

SIZE DWG. NO.

A 40-1611

REV

C

SCALE: 1:3 WEIGHT: N/A

SHEET 1 OF 1

5

4

3

2

1