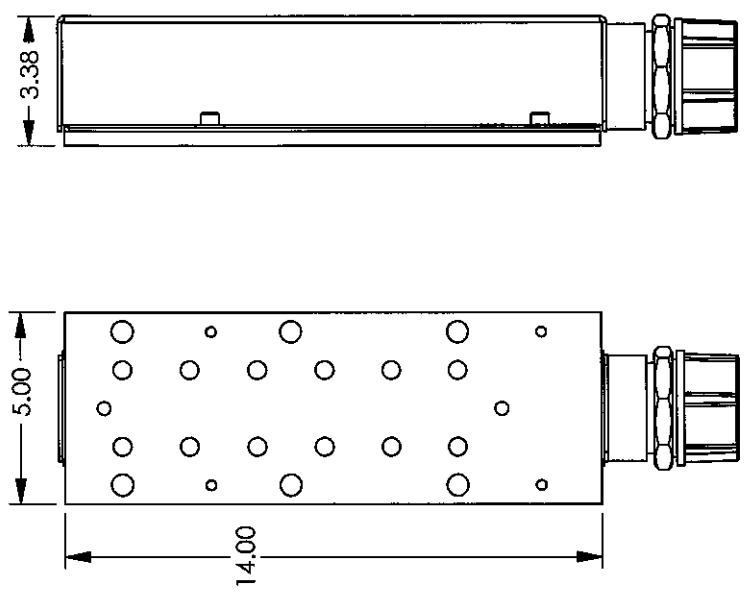
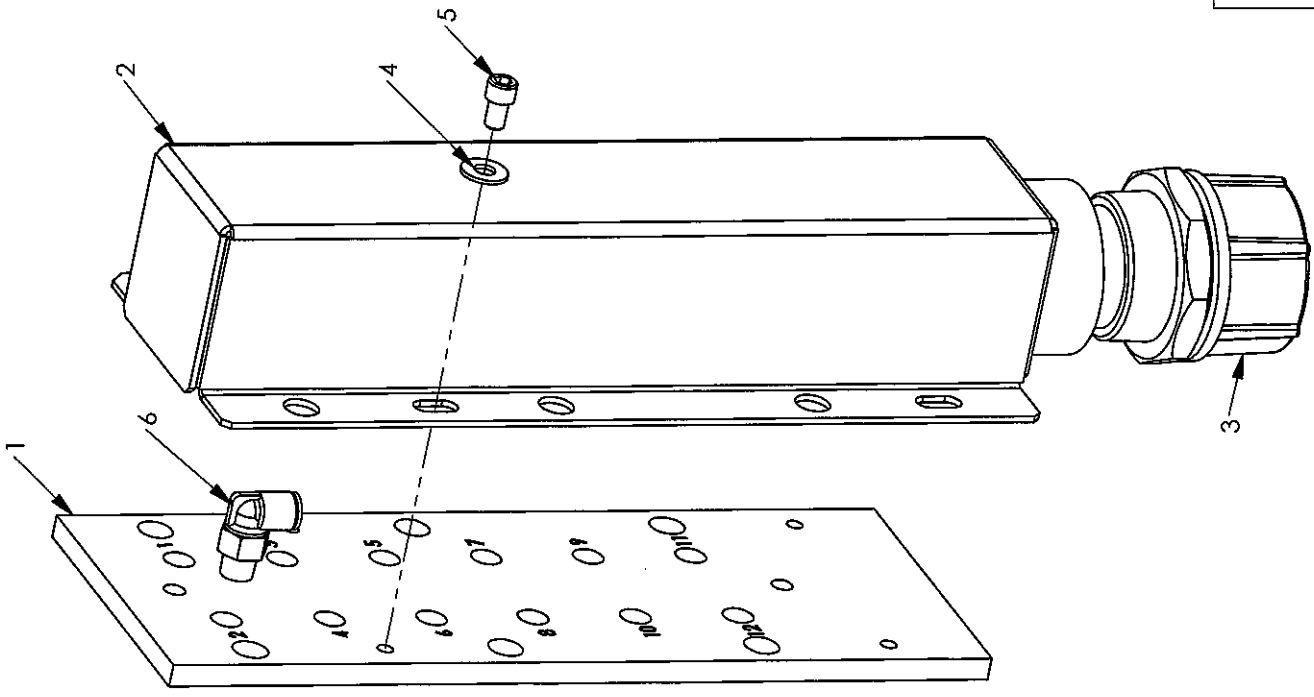


40-1710 AJ-12 Hose End Assy

ITEM NO.	PART NUMBER	DESCRIPTION	QTY
1	40-0540	Hose Plate, AJ-12	1
2	40-0541	Hose Cover, AJ-12	1
3	50-0200	Cable Grip	1
4	50-0243	Washer, Shaft	4
5	50-0244	SHCS	4
6	50-0540	Male Elbow, 1/4" NPT x 3/8T	12



PACSEAL HYDRAULICS INC.
VALVES, ACCUMULATORS, CONTROLS

TITLE	SIZE	DWG. NO.	REV
AJ-12 Hose End Assy	A	40-1710	1
SCALE: 1:3		WEIGHT: N/A	SHEET 1 OF 1

PROPRIETARY AND CONFIDENTIAL
THE INFORMATION CONTAINED IN THIS DRAWING IS THE SOLE PROPERTY OF PacSeal Hydraulics. ANY REPRODUCTION IN PART OR AS A WHOLE WITHOUT THE WRITTEN PERMISSION OF PacSeal Hydraulics IS PROHIBITED.