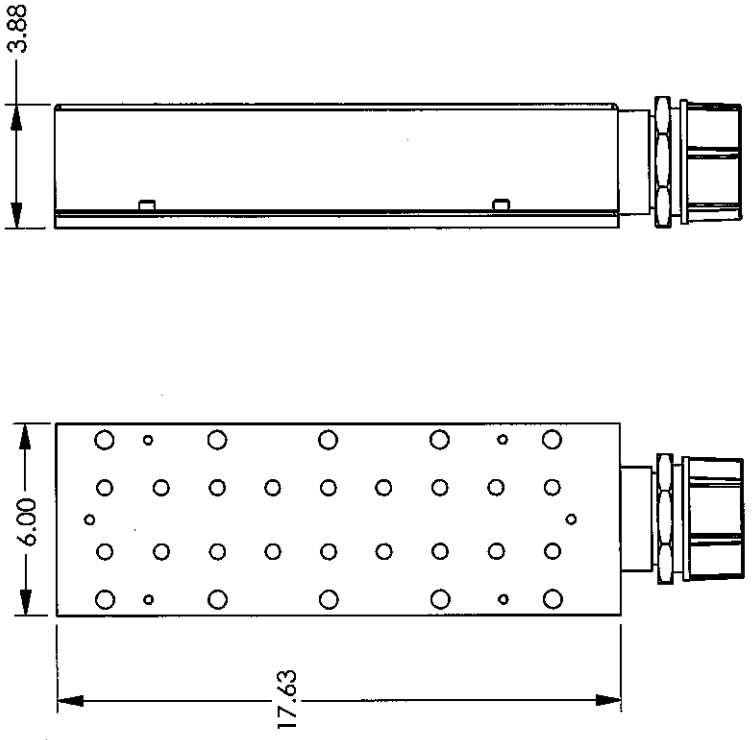
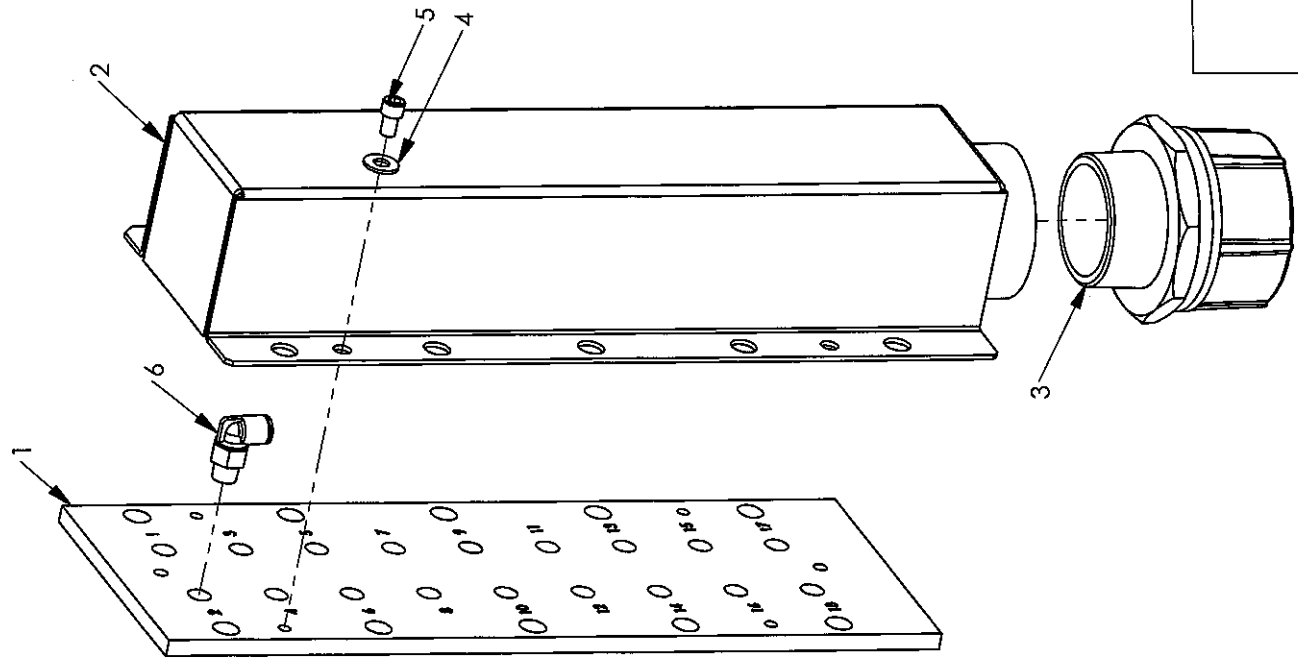


**40-1711 AJ-18 Hose End Assy**

ITEM NO.	PART NUMBER	DESCRIPTION	QTY
1	40-0625	Hose Plate, AJ-16/18	1
2	40-0626	Hose Cover, AJ-16/18	1
3	50-0201	Cable Grip	1
4	50-0243	Washer, Shaft	4
5	50-0244	SHCS	4
6	50-0540	Male Elbow, 1/4" NPT x 3/8T	18



**PACSEAL HYDRAULICS INC.**  
VALVES, ACCUMULATORS, CONTROLS

TITLE	SIZE	DWG. NO.	REV
	AJ-18 Hose End Assy		<b>A</b> 40-1711 1
PROPRIETARY AND CONFIDENTIAL		SCALE: 1:4	WEIGHT: N/A
THE INFORMATION CONTAINED IN THIS DRAWING IS THE SOLE PROPERTY OF PacSeal Hydraulics. ANY REPRODUCTION IN PART OR AS A WHOLE WITHOUT THE WRITTEN PERMISSION OF PacSeal Hydraulics IS PROHIBITED.		SHEET 1 OF 1	