

40-1823 Air Cable Assy, #24

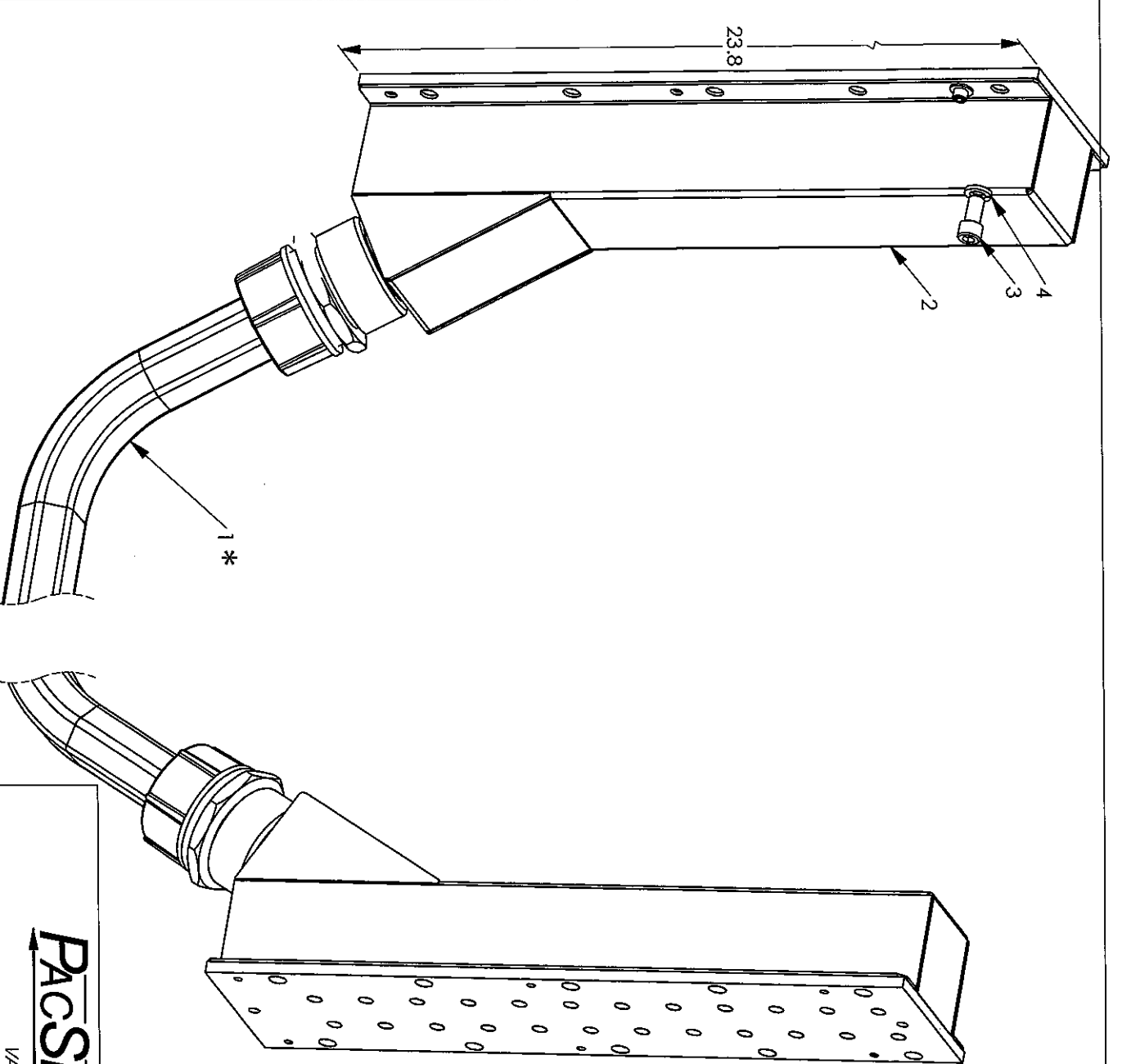
ITEM NO.	PART NUMBER	DESCRIPTION	QTY
1	40-0943	Air Cable, #24 (3/8")	Ft.
2	40-1712	AJ-24 Hose End Assy	2

HW Fasteners (not included)

ITEM NO.	PART NUMBER	DESCRIPTION	QTY
3	50-0007	SHCS	20
4	50-0104	Lock Washer	20

* Air Cable Lengths ('X')
(Include length of Hose Cover
both sides for total cable length
required.)

ITEM NUMBER	'X' Value	Length (feet)
0	0	50
1	1	75
2	2	100
3	3	125
4	4	150
5	5	175
6	6	200



PROPRIETARY AND CONFIDENTIAL

THE INFORMATION CONTAINED IN THIS DRAWING IS THE SOLE PROPERTY OF Pacseal Hydraulics. ANY REPRODUCTION IN PART OR AS A WHOLE WITHOUT THE WRITTEN PERMISSION OF Pacseal Hydraulics IS PROHIBITED.

PACSEAL HYDRAULICS INC.

VALVES, ACCUMULATORS, CONTROLS

TITLE
Air Cable Assy, #24
Angled Hose Cover
3/8" Tubes

SIZE DWG. NO. REV
A 40-1823-X 1
SCALE: 1:5 WEIGHT: N/A SHEET 1 OF 1