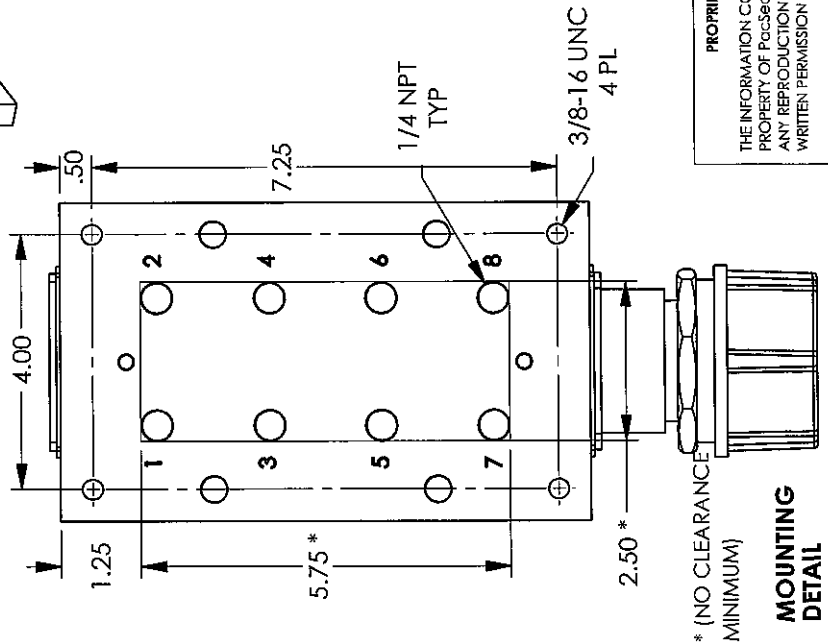
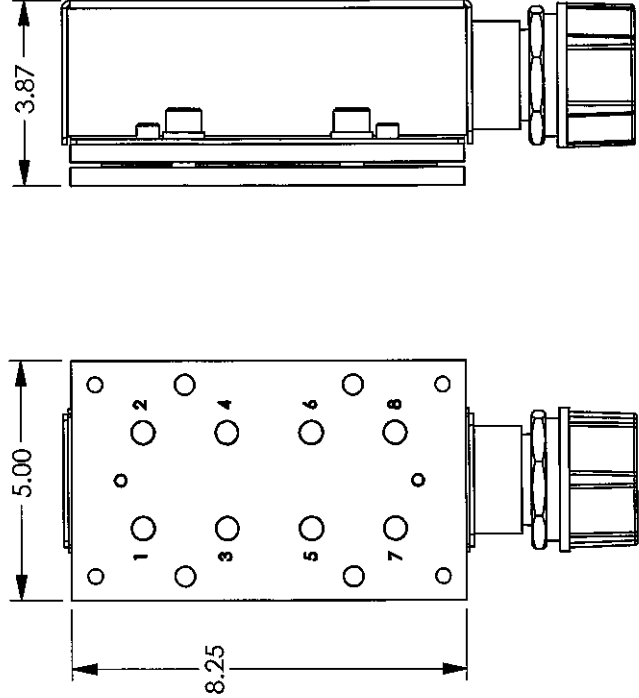
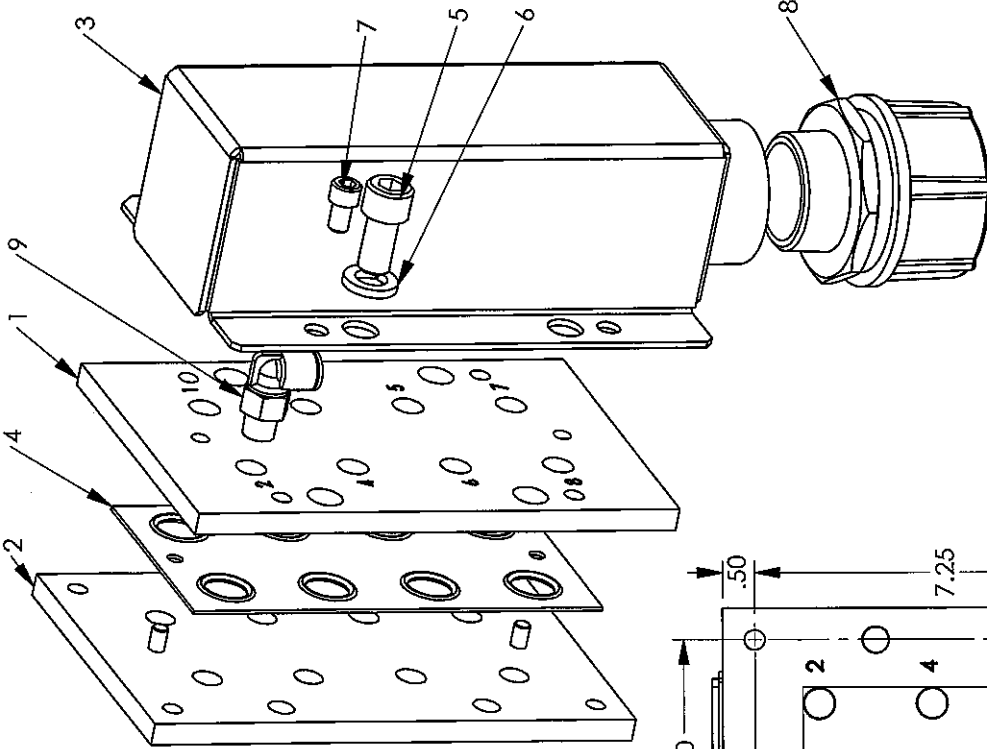


40-2114 AJ-8 Air Junction Box Assembly

ITEM NO.	PART NUMBER	DESCRIPTION	QTY
1	40-1385	Hose Plate, AJ-8	1
2	40-1386	Fixed Plate, AJ-8	1
3	40-1387	Hose Cover, AJ-8	1
4	40-1389	Gasket, #8 AJ-Box	1
5	50-0007	SHCS	4
6	50-0104	Lock Washer	4
7	50-0244	SHCS	4
8	50-0413	Cable Grip	1
9	50-0540	Male Elbow, 1/4" NPT x 3/8T	8



PROPRIETARY AND CONFIDENTIAL
 THE INFORMATION CONTAINED IN THIS DRAWING IS THE SOLE PROPERTY OF PacSeal Hydraulics.
 ANY REPRODUCTION IN PART OR AS A WHOLE WITHOUT THE WRITTEN PERMISSION OF PacSeal Hydraulics IS PROHIBITED.

PACSEAL HYDRAULICS INC.
 VALVES, ACCUMULATORS, CONTROLS

TITLE	SIZE	DWG. NO.	REV
AJ-8 Air Junction Box Assembly	A	40-2114	1
SCALE: 1:3		WEIGHT: N/A	SHEET 1 OF 1