

40-2116 AJ-8 Air Cable Assembly

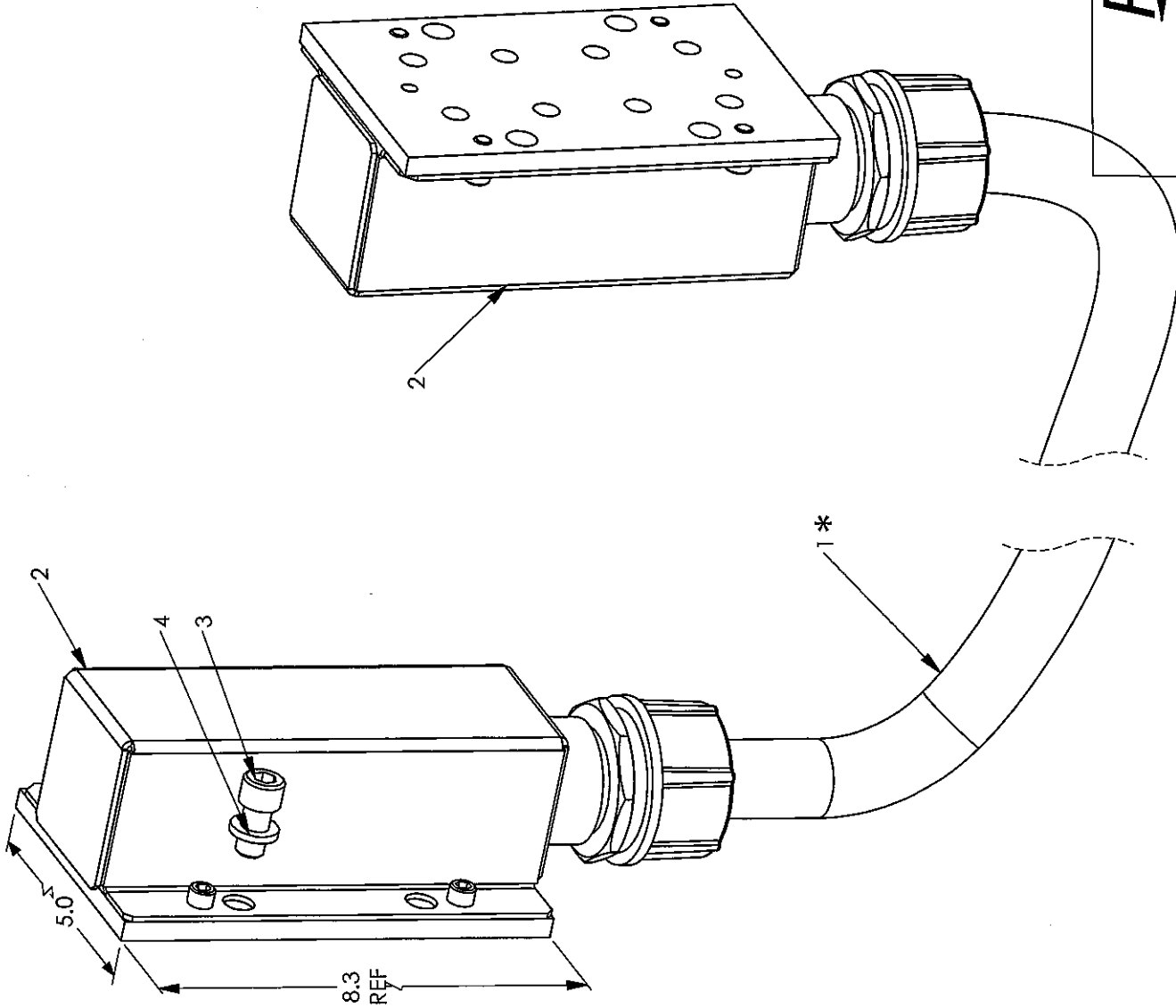
ITEM NO.	PART NUMBER	DESCRIPTION	QTY
1	40-2428	Air Cable, #8	Ft.
2	40-2115	AJ-8 Hose End Assembly	2

HW Fasteners (not included)

ITEM NO.	PART NUMBER	DESCRIPTION	QTY
3	50-0007	SHCS	8
4	50-0104	Lock Washer	8

* Air Cable Lengths ('X')
(Include length of Hose Cover
both sides for total cable length
required..)

ITEM NUMBER	Length (feet)
'X' Value	
0	50
1	75
2	100
3	125
4	150
5	175
6	200



PACSEAL HYDRAULICS INC.

VALVES, ACCUMULATORS, CONTROLS

TITLE	REV
AJ-8 Air Cable Assembly	1
SIZE DWG. NO.	
A 40-2116-X	
SCALE: 1:3	WEIGHT: N/A
SHEET 1 OF 1	

PROPRIETARY AND CONFIDENTIAL
THE INFORMATION CONTAINED IN THIS DRAWING IS THE SOLE PROPERTY OF PacSeal Hydraulics. ANY REPRODUCTION IN PART OR AS A WHOLE WITHOUT THE WRITTEN PERMISSION OF PacSeal Hydraulics IS PROHIBITED.