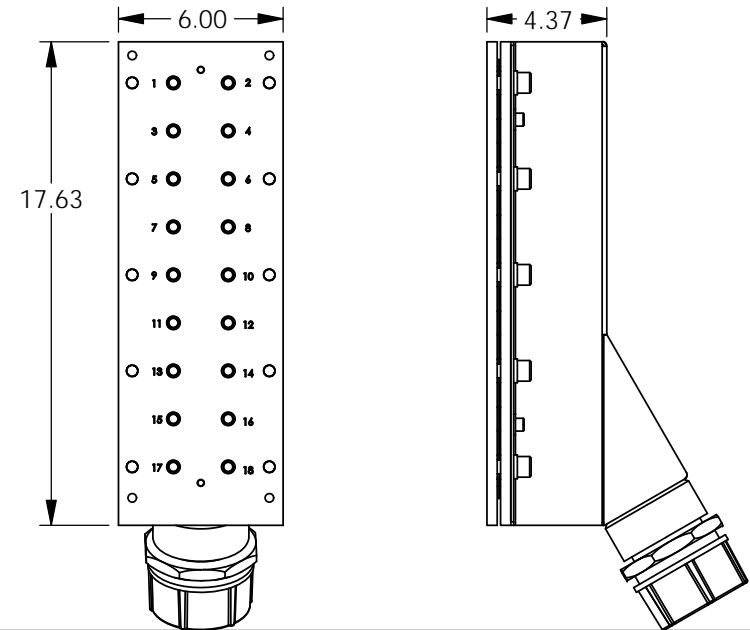
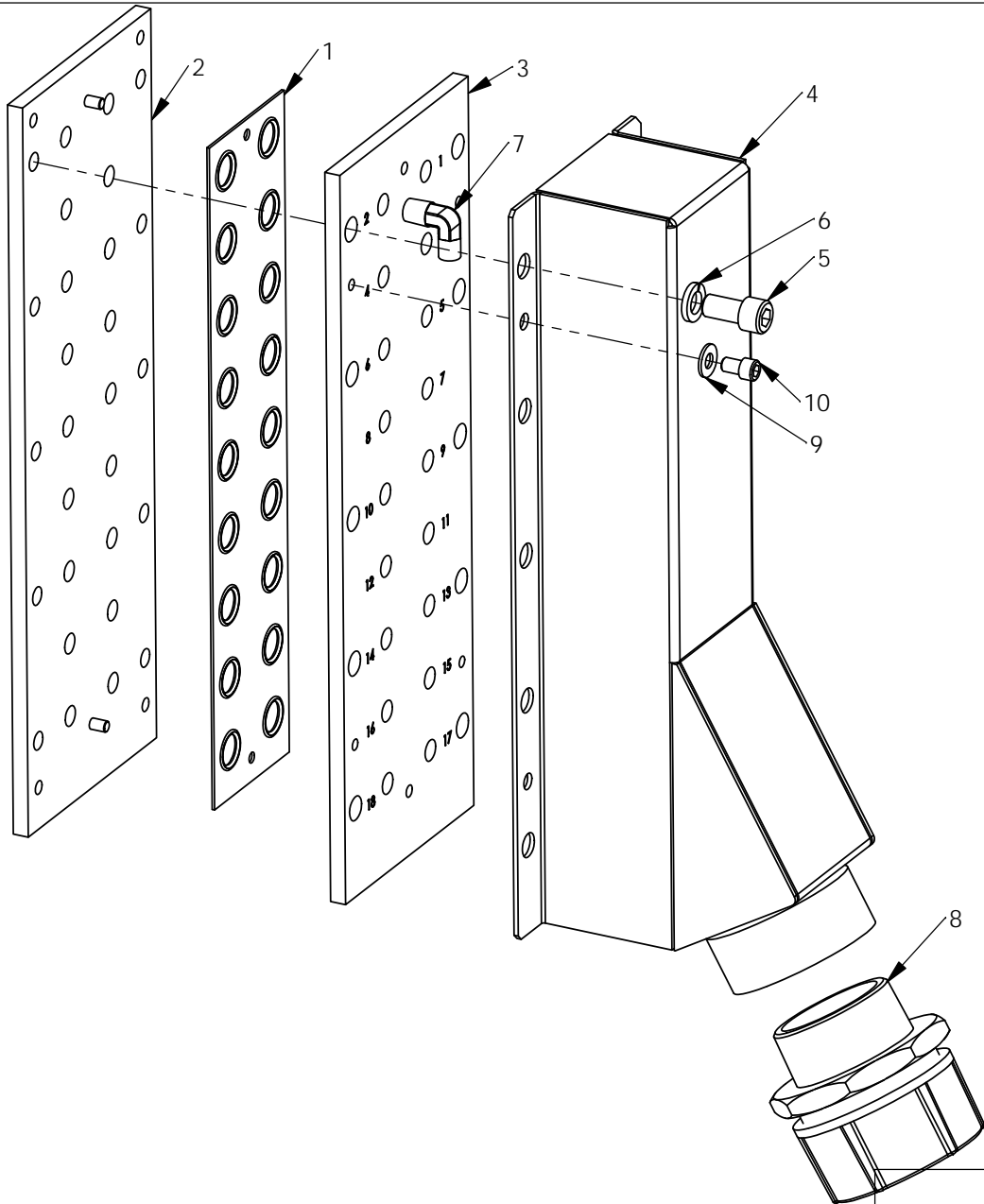


40-3811 AJ-18 Junction Box Assy

ITEM NO.	PART NUMBER	DESCRIPTION	QTY
1	40-0539	Gasket, #18 AJ-Box	1
2	40-0624	Fixed Plate, AJ-16/18	1
3	40-0625	Hose Plate, AJ-16/18	1
4	40-2481	Hose Cover, AJ-18	1
5	50-0007	SHCS	10
6	50-0104	Lock Washer	10
7	50-0151	Tube Fitting	18
8	50-0201	Cable Grip	1
9	50-0243	Washer, Shaft	4
10	50-0244	SHCS	4



PACSEAL HYDRAULICS INC.

VALVES, ACCUMULATORS, CONTROLS

<p>PROPRIETARY AND CONFIDENTIAL</p> <p>THE INFORMATION CONTAINED IN THIS DRAWING IS THE SOLE PROPERTY OF PacSeal Hydraulics. ANY REPRODUCTION IN PART OR AS A WHOLE WITHOUT THE WRITTEN PERMISSION OF PacSeal Hydraulics IS PROHIBITED.</p>	<p>TITLE</p> <p>AJ-18 Junction Box Assy Angeled Hose Cover</p>	SIZE	DWG. NO.	REV
		A	40-3811	1
		SCALE: 1:4	WEIGHT: N/A	SHEET 1 OF 1