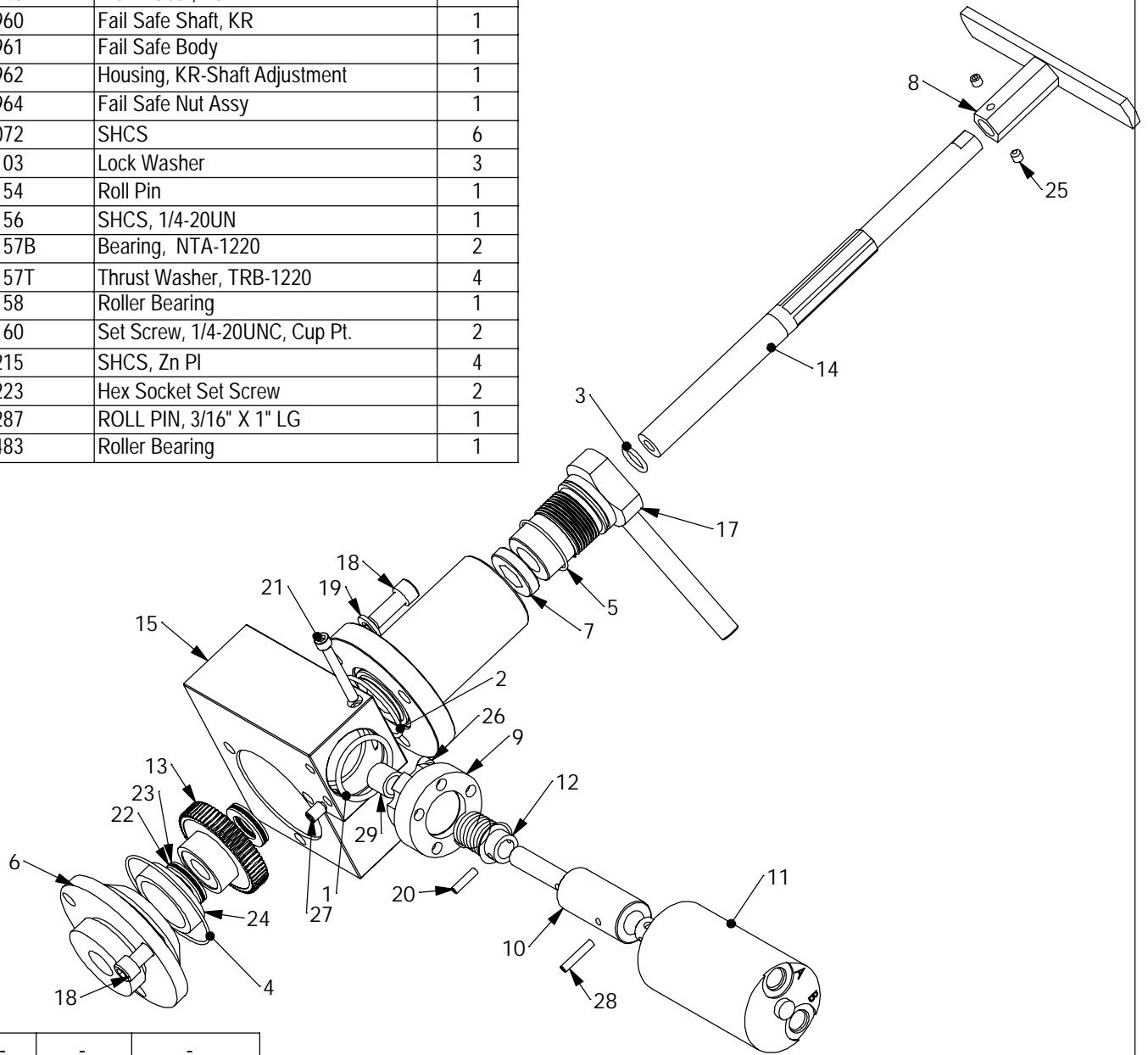


ITEM NO.	PART NUMBER	DESCRIPTION	QTY.
1	23-1123	O-Ring	1
2	23-1356	O-Ring	1
3	23-1385	O-Ring	1
4	23-1404	O-Ring	1
5	23-1405	O-Ring	1
6	40-0414	ADAPTER PLATE, KR-FAILSAFE	1
7	40-0416	Fail Safe Collar	1
8	40-0418	Fail Safe Handle	1
9	40-0715	Hydraulic Adapter	1
10	40-0716	Fail Safe Shaft Extension-Hydraulic	1
11	40-0719	Motor, MOD, KR-Failsafe H	1
12	40-2742	Worm, FS-HP Actuator	1
13	40-2743	Worm Gear, FS-HP	1
14	40-3960	Fail Safe Shaft, KR	1
15	40-3961	Fail Safe Body	1
16	40-3962	Housing, KR-Shaft Adjustment	1
17	40-3964	Fail Safe Nut Assy	1
18	50-0072	SHCS	6
19	50-0103	Lock Washer	3
20	50-0154	Roll Pin	1
21	50-0156	SHCS, 1/4-20UN	1
22	50-0157B	Bearing, NTA-1220	2
23	50-0157T	Thrust Washer, TRB-1220	4
24	50-0158	Roller Bearing	1
25	50-0160	Set Screw, 1/4-20UNC, Cup Pt.	2
26	50-0215	SHCS, Zn Pl	4
27	50-0223	Hex Socket Set Screw	2
28	50-0287	ROLL PIN, 3/16" X 1" LG	1
29	50-0483	Roller Bearing	1



REV	ECN	DATE
-	-	-
PROPRIETARY AND CONFIDENTIAL		
THE INFORMATION CONTAINED IN THIS DRAWING IS THE SOLE PROPERTY OF PacSeal Hydraulics. ANY REPRODUCTION IN PART OR AS A WHOLE WITHOUT THE WRITTEN PERMISSION OF PacSeal Hydraulics IS PROHIBITED.		

PACSEAL HYDRAULICS INC.

VALVES, ACCUMULATORS, CONTROLS

TITLE:
Actuator, KR FailSafe Hydraulic
Universal Shaft

SIZE A	DWG. NO. 40-4255	REV 1
SCALE: 1:4	WEIGHT: 28	SHEET 1 OF 1

40-4255