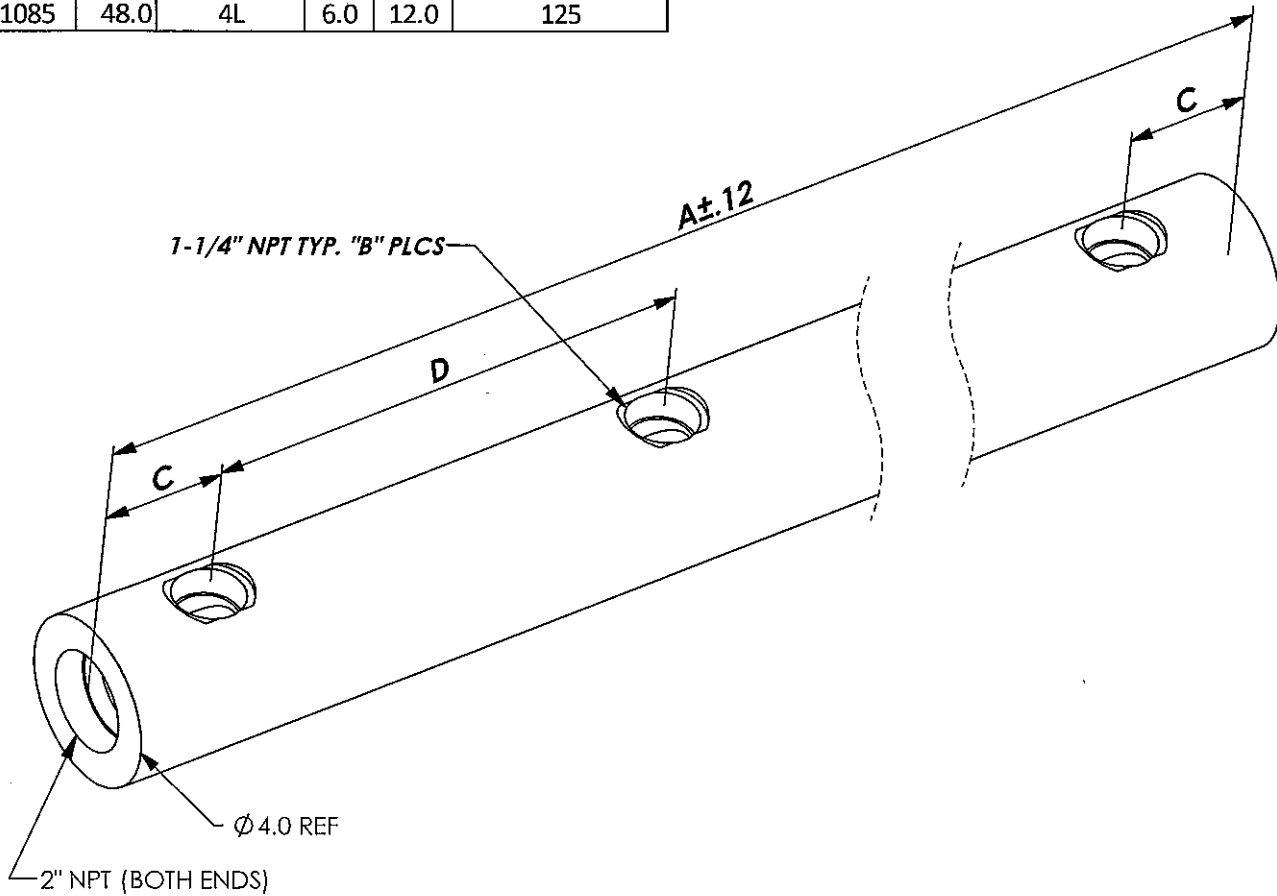


| Part No | A     | B (# Holes) | C   | D    | Weight (Lbs) |
|---------|-------|-------------|-----|------|--------------|
| 40-0425 | 18.0  | 2           | 3.0 | 12.0 | 46           |
| 40-0426 | 30.0  | 3           | 3.0 | 12.0 | 78           |
| 40-0427 | 42.0  | 4           | 3.0 | 12.0 | 109          |
| 40-0428 | 54.0  | 5           | 3.0 | 12.0 | 141          |
| 40-0429 | 66.0  | 6           | 3.0 | 12.0 | 172          |
| 40-0430 | 78.0  | 7           | 3.0 | 12.0 | 204          |
| 40-0507 | 90.0  | 8           | 3.0 | 12.0 | 235          |
| 40-0508 | 102.0 | 9           | 3.0 | 12.0 | 267          |
| 40-0822 | 114.0 | 10          | 3.0 | 12.0 | 298          |
| 40-0873 | 126.0 | 11          | 3.0 | 12.0 | 330          |
| 40-0874 | 138.0 | 12          | 3.0 | 12.0 | 361          |
| 40-1084 | 96.0  | 8L          | 6.0 | 12.0 | 251          |
| 40-1085 | 48.0  | 4L          | 6.0 | 12.0 | 125          |

**NOTES:**

- MAT'L: AISI-1026 HFS ROUND MECHANICAL TUBING, 4.0" O.D. X 1" WALL



**PACSEAL HYDRAULICS INC.**

VALVES, ACCUMULATORS, CONTROLS

**PROPRIETARY AND CONFIDENTIAL**

THE INFORMATION CONTAINED IN THIS DRAWING IS THE SOLE PROPERTY OF PacSeal Hydraulics. ANY REPRODUCTION IN PART OR AS A WHOLE WITHOUT THE WRITTEN PERMISSION OF PacSeal Hydraulics IS PROHIBITED.

**TITLE:** Manifold Header, Accumulator ( 4.0" O.D.)

SIZE DWG. NO. **A** 40-0425\_ISO

REV **H**

SCALE: 1:4

SHEET 1 OF 1

40-0425\_ISO