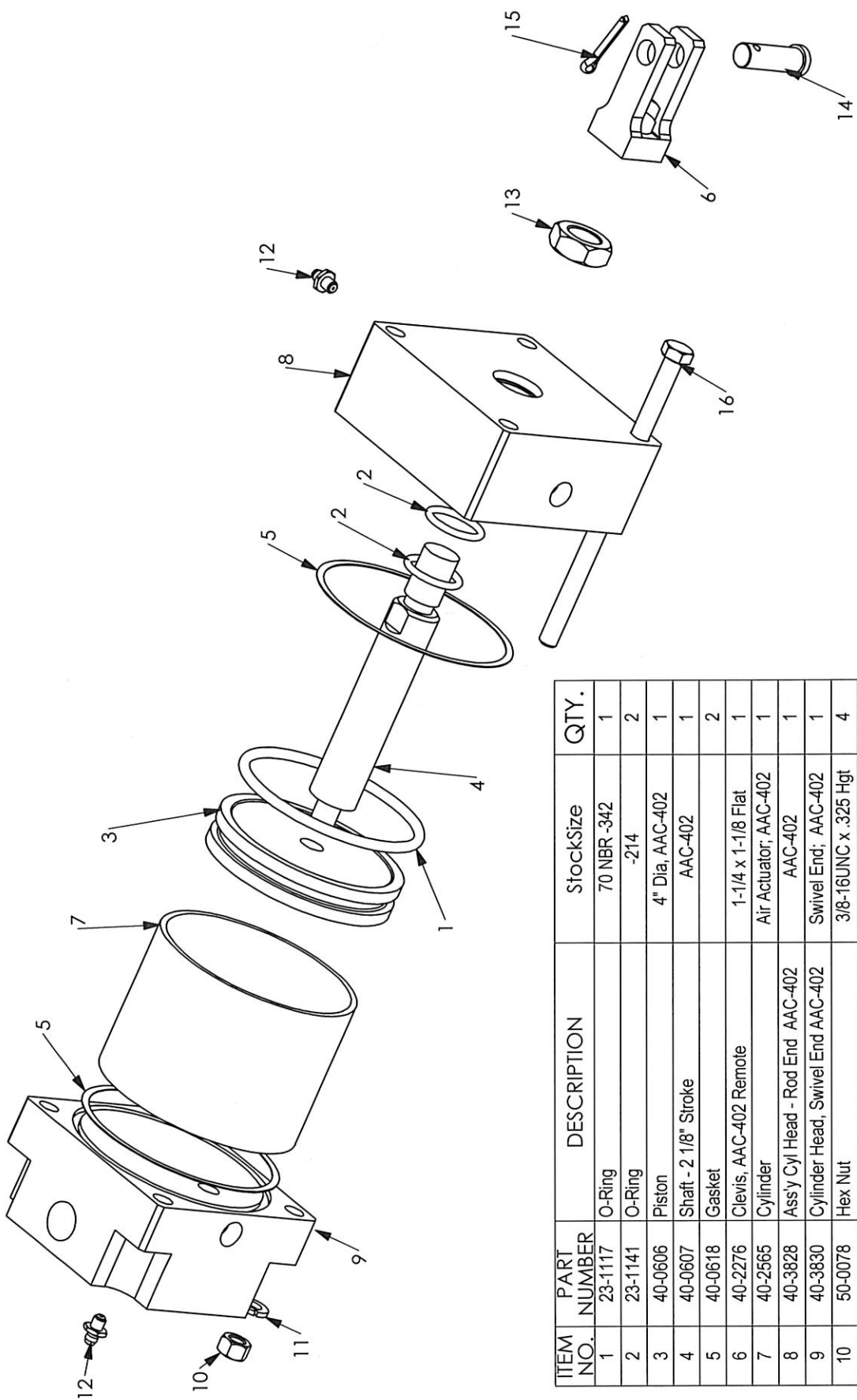


- Note:
1. Air Actuator Cylinder Assy - 4" Dia, 2 Position
  2. Stroke: 2-1/8"
  3. Working Pressure: 250 PSI
  4. Aluminum Body

**PACSEAL HYDRAULICS INC.**  
VALVES, ACCUMULATORS, CONTROLS

TITLE	SIZE	DWG. NO.	REV
Air Actuator Cylinder Assembly AAC-402 2-Position	A	40-3827	1
SCALE: 1:2		WEIGHT: 13	SHEET 1 OF 2

PROPRIETARY AND CONFIDENTIAL  
THE INFORMATION CONTAINED IN THIS DRAWING IS THE SOLE PROPERTY OF PacSeal Hydraulics. ANY REPRODUCTION IN PART OR AS A WHOLE WITHOUT THE WRITTEN PERMISSION OF PacSeal Hydraulics IS PROHIBITED.



ITEM NO.	PART NUMBER	DESCRIPTION	Stock Size	QTY.
1	23-1117	O-Ring	70 NBR -342	1
2	23-1141	O-Ring	-214	2
3	40-0606	Piston	4" Dia, AAC-402	1
4	40-0607	Shaft - 2 1/8" Stroke	AAC-402	1
5	40-0618	Gasket		2
6	40-2276	Clevis, AAC-402 Remote	1-1/4 x 1-1/8 Flat	1
7	40-2565	Cylinder	Air Actuator; AAC-402	1
8	40-3828	Ass'y Cyl Head - Rod End AAC-402	AAC-402	1
9	40-3830	Cylinder Head, Swivel End AAC-402	Swivel End; AAC-402	1
10	50-0078	Hex Nut	3/8-16UNC x .325 Hgt	4
11	50-0103	Lock Washer	3/8	4
12	50-0120	1/4" Zerk Fitting		2
13	50-0124	Nut	3/4-16UN	1
14	50-0145	Clevis Pin	AAC-302	1
15	50-0146	Cotter Pin	5/32 x 1.0 Lg,	1
16	50-0393	Hex Hd Bolt	3/8-16UN x 6.5 Lg	4

**PROPRIETARY AND CONFIDENTIAL**  
 THE INFORMATION CONTAINED IN THIS DRAWING IS THE SOLE PROPERTY OF PacSeal Hydraulics.  
 ANY REPRODUCTION IN PART OR AS A WHOLE WITHOUT THE WRITTEN PERMISSION OF PacSeal Hydraulics IS PROHIBITED.

# PACSEAL HYDRAULICS INC.

VALVES, ACCUMULATORS, CONTROLS

TITLE	REV
Air Actuator Cylinder Assembly AAC-402 2-Position	1
SIZE	DWG. NO.
A	40-3827
SCALE: 1:3	WEIGHT: 13
SHEET 2 OF 2	