

Note:

1. Air Actuator Cylinder Assy - 4" Dia, 2 Position
2. Stroke: 2-1/8"
3. Working Pressure: 250 PSI
4. Aluminum Body

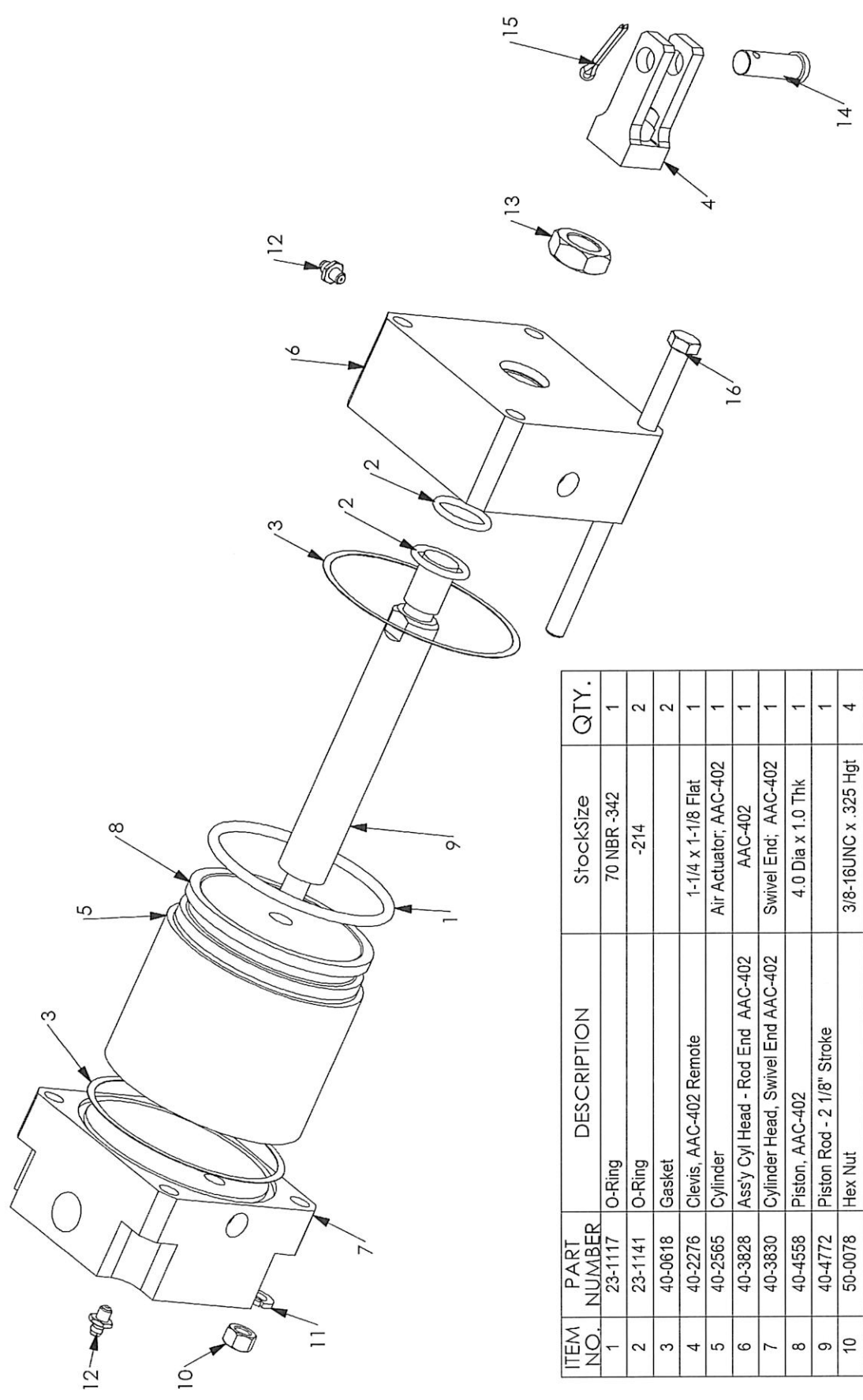
**PACSEAL HYDRAULICS INC.**

VALVES, ACCUMULATORS, CONTROLS

TITLE	REV
Air Actuator Cylinder Assembly AAC-402 L 2-Position	1
SIZE	DWG. NO.
A	40-4771
SCALE: 1:2	WEIGHT: 12
SHEET 1 OF 2	

PROPRIETARY AND CONFIDENTIAL

THE INFORMATION CONTAINED IN THIS DRAWING IS THE SOLE PROPERTY OF PacSeal Hydraulics. ANY REPRODUCTION IN PART OR AS A WHOLE WITHOUT THE WRITTEN PERMISSION OF PacSeal Hydraulics IS PROHIBITED.



ITEM NO.	PART NUMBER	DESCRIPTION	Stock Size	QTY.
1	23-1117	O-Ring	70 NBR -342	1
2	23-1141	O-Ring	-214	2
3	40-0618	Gasket		2
4	40-2276	Clevis, AAC-402 Remote	1-1/4 x 1-1/8 Flat	1
5	40-2565	Cylinder	Air Actuator; AAC-402	1
6	40-3828	Assy Cyl Head - Rod End AAC-402	AAC-402	1
7	40-3830	Cylinder Head, Swivel End AAC-402	Swivel End; AAC-402	1
8	40-4558	Piston, AAC-402	4.0 Dia x 1.0 Thk	1
9	40-4772	Piston Rod - 2 1/8" Stroke		1
10	50-0078	Hex Nut	3/8-16UNC x .325 Hgt	4
11	50-0103	Lock Washer	3/8	4
12	50-0120	1/4" Zerk Fitting		2
13	50-0124	Nut	3/4-16UN	1
14	50-0145	Clevis Pin	AAC-302	1
15	50-0146	Cotter Pin	5/32 x 1.0 Lg.	1
16	50-0393	Hex Hd Bolt	3/8-16UN x 6.5 Lg	4

PROPRIETARY AND CONFIDENTIAL  
 THE INFORMATION CONTAINED IN THIS DRAWING IS THE SOLE PROPERTY OF PacSeal Hydraulics.  
 ANY REPRODUCTION IN PART OR AS A WHOLE WITHOUT THE WRITTEN PERMISSION OF PacSeal Hydraulics IS PROHIBITED.

# PACSEAL HYDRAULICS INC.

VALVES, ACCUMULATORS, CONTROLS

TITLE	Air Actuator Cylinder Assembly AAC-402 L 2-Position	SCALE: 1:3	WEIGHT: 12	SHEET 2 OF 2
SIZE	DWG. NO.	REV		
A	40-4771	1		