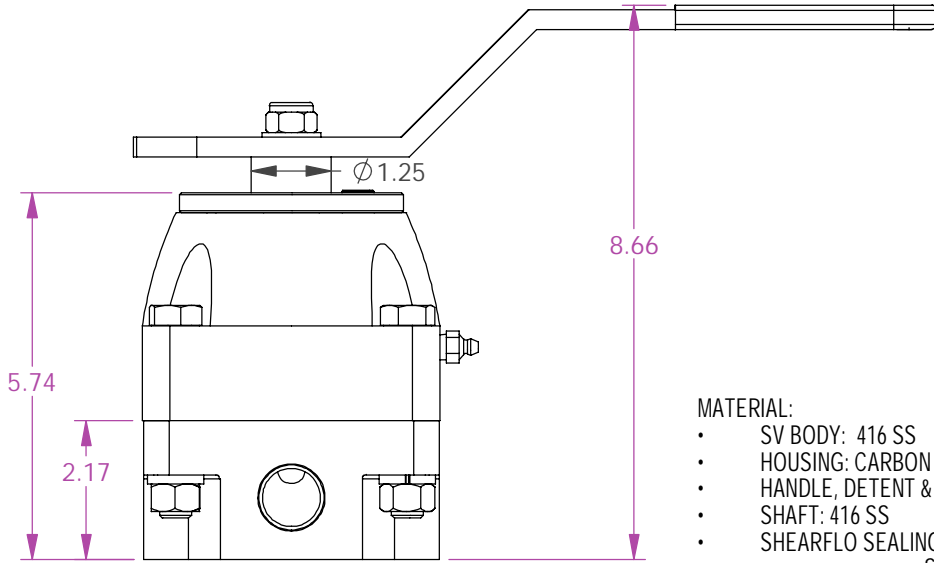
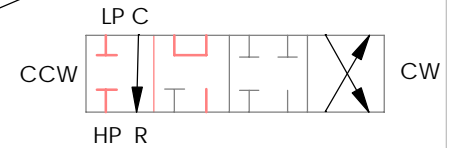


BOTTOM VIEW



- MATERIAL:**
- SV BODY: 416 SS
 - HOUSING: CARBON STEEL
 - HANDLE, DETENT & SPACERS: PLATED CARBON STEEL
 - SHAFT: 416 SS
 - SHEARFLO SEALING COMPONENTS: 440c HARDENED (ROTOR); SealRings: 440c
 - O-RINGS: BUNA (NITRILE)
 - BACKUPS: TEFLON



MODEL NO: SV-100 6N3ISD5MN
 ROTOR: Dual Pressure
 PORTS: 1" NPT (Return), (2) 3/4" NPT (Lo Pressure & CYL 1)
 1/2" NPT (Hi Press)
 WORKING PRESSURE: 3000 PSI
 RETURN PORT: 250 PSI MAX
 Cv: 3.2 (LP); 1.0 (HP)
 FLOW: 28 GPM (LP) & 10 GPM (HP)
 TEMP RATING: -40° TO 250°F

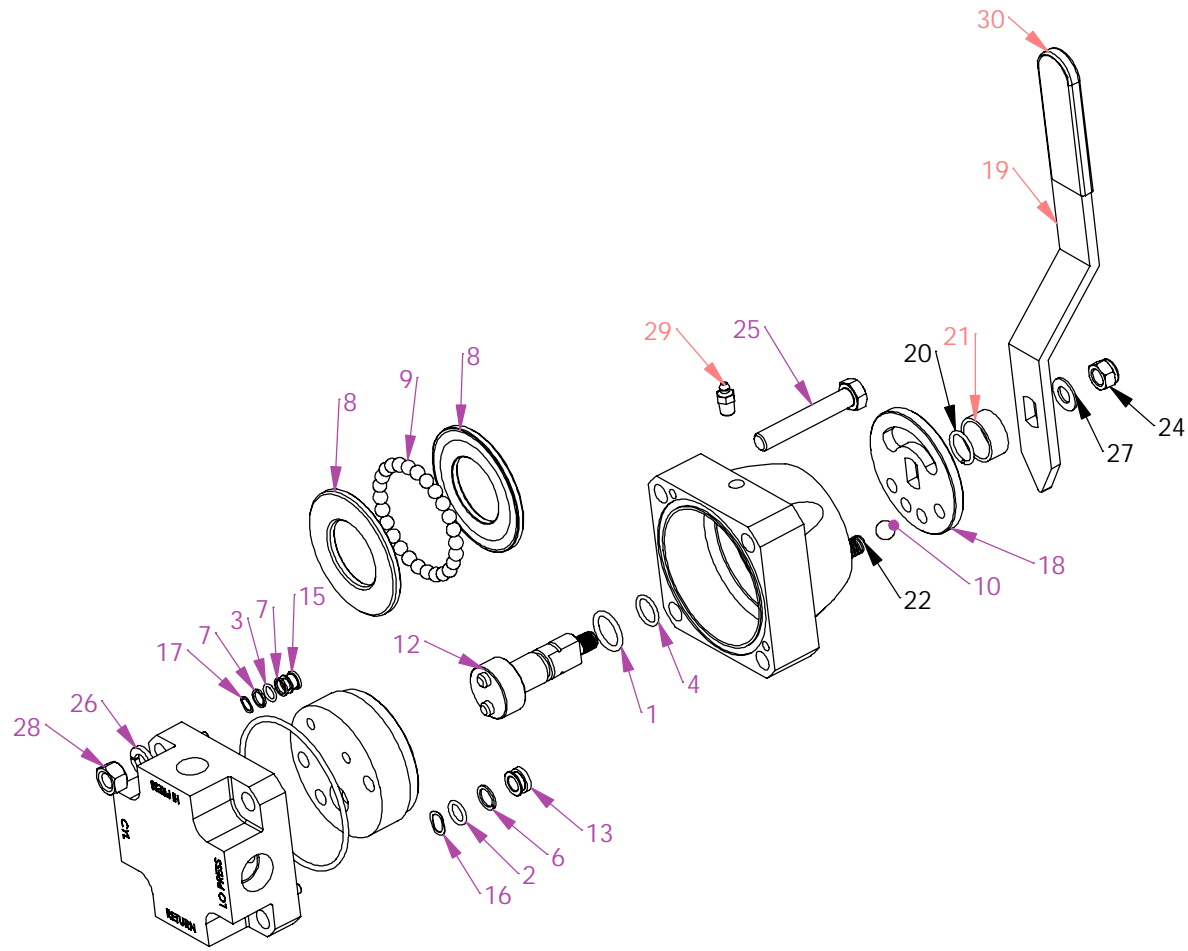
-	-	-
-	-	-
REV	ECN	DATE

PROPRIETARY AND CONFIDENTIAL
 THE INFORMATION CONTAINED IN THIS DRAWING IS THE SOLE PROPERTY OF PacSeal Hydraulics.
 ANY REPRODUCTION IN PART OR AS A WHOLE WITHOUT THE WRITTEN PERMISSION OF PacSeal Hydraulics IS PROHIBITED.

PacSeal Hydraulics Inc.

VALVES, ACCUMULATORS, CONTROLS

TITLE	SIZE	DWG. NO.	REV
SV-100 DP Valve Ass'y	A	40-1524	1
SCALE: 1:3	WEIGHT: 26	SHEET 1 OF 2	



ITEM NO.	PART NUMBER	DESCRIPTION	QTY.
1	23-1122	O-Ring	1
2	23-1337	O-Ring	2
3	23-1344	O-Ring	1
4	23-1352	O-Ring	1
5	23-1363	O-Ring	1
6	23-1414	Backup Ring	2
7	23-1416	Backup Ring	2
8	40-0009	Thrust Washer	2
9	40-0049	Ball, Bearing	26
10	40-0174	Ball, Bearing	1
11	40-0175	Housing, SV-100	1
12	40-0178	Shaft, SV-100	1
13	40-0219	Seal Ring, SV-50	2
14	40-0222	Rotor, Dual Pressure SV-100 DP	1
15	40-0224	Seal Ring, Hi Pressure SV-100 DP	1
16	40-0237	Wave Spring	2
17	40-0238	Wave Spring	1
18	40-0278	Detent Disc, SV-100 DP	1
19	40-0281	Handle	1
20	40-0288	Retaining Ring	1
21	40-0291	Spacer, Handle	1
22	40-0295	Spring	1
23	40-1423	Body, SV-100 DP	1
24	50-0093	Nut, Shaft	1
25	50-0099	Bolt	4
26	50-0104	Lock Washer	4
27	50-0108	Washer, Shaft	1
28	50-0110	Hex Nut	4
29	50-0176	Grease Fitting	1
30	50-0236	Grip, Handle	1

PACSEAL HYDRAULICS INC.

VALVES, ACCUMULATORS, CONTROLS

PROPRIETARY AND CONFIDENTIAL
 THE INFORMATION CONTAINED IN THIS DRAWING IS THE SOLE PROPERTY OF PacSeal Hydraulics.
 ANY REPRODUCTION IN PART OR AS A WHOLE WITHOUT THE WRITTEN PERMISSION OF PacSeal Hydraulics IS PROHIBITED.

TITLE
SV-100 DP Valve Ass'y
3/4" NPT Nominal Port

SIZE	DWG. NO.	REV
A	40-1524	1
SCALE: 1:5	WEIGHT:	SHEET 2 OF 2