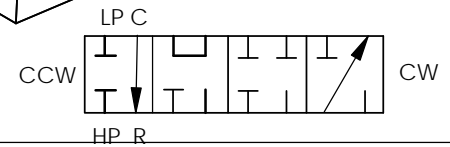
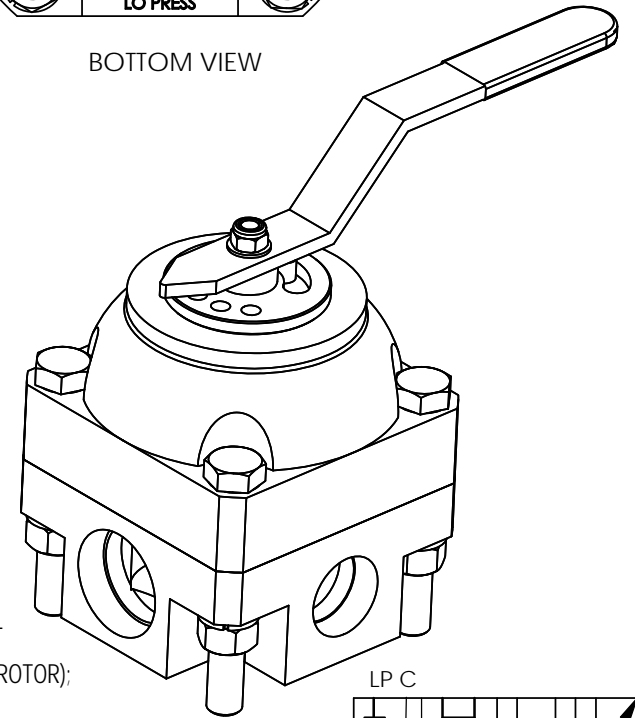
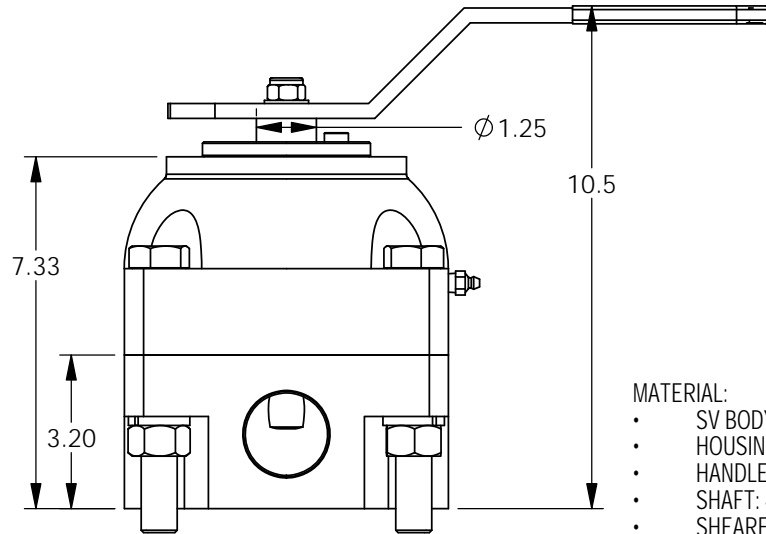


BOTTOM VIEW



- MATERIAL:**
- SV BODY: 416 SS
 - HOUSING: CARBON STEEL
 - HANDLE, DETENT & SPACERS: PLATED CARBON STEEL
 - SHAFT: 416 SS
 - SHEARFLO SEALING COMPONENTS: 440c HARDENED (ROTOR); SealRings: 440c
 - O-RINGS: BUNA (NITRILE)
 - BACKUPS: TEFLON

MODEL NO: **SV-150 12N3ILD1MN**
 ROTOR: Dual Pressure
 PORTS: 2" NPT (Return), (2) 1-1/2" NPT (Lo Pressure & CYL 1)
 1" NPT (Hi Press)
 WORKING PRESSURE: 3000 PSI
 RETURN PORT: 250 PSI MAX
 Cv: 9.2
 FLOW: 75 (GPM MAX)
 TEMP RATING: -30° TO 180°F

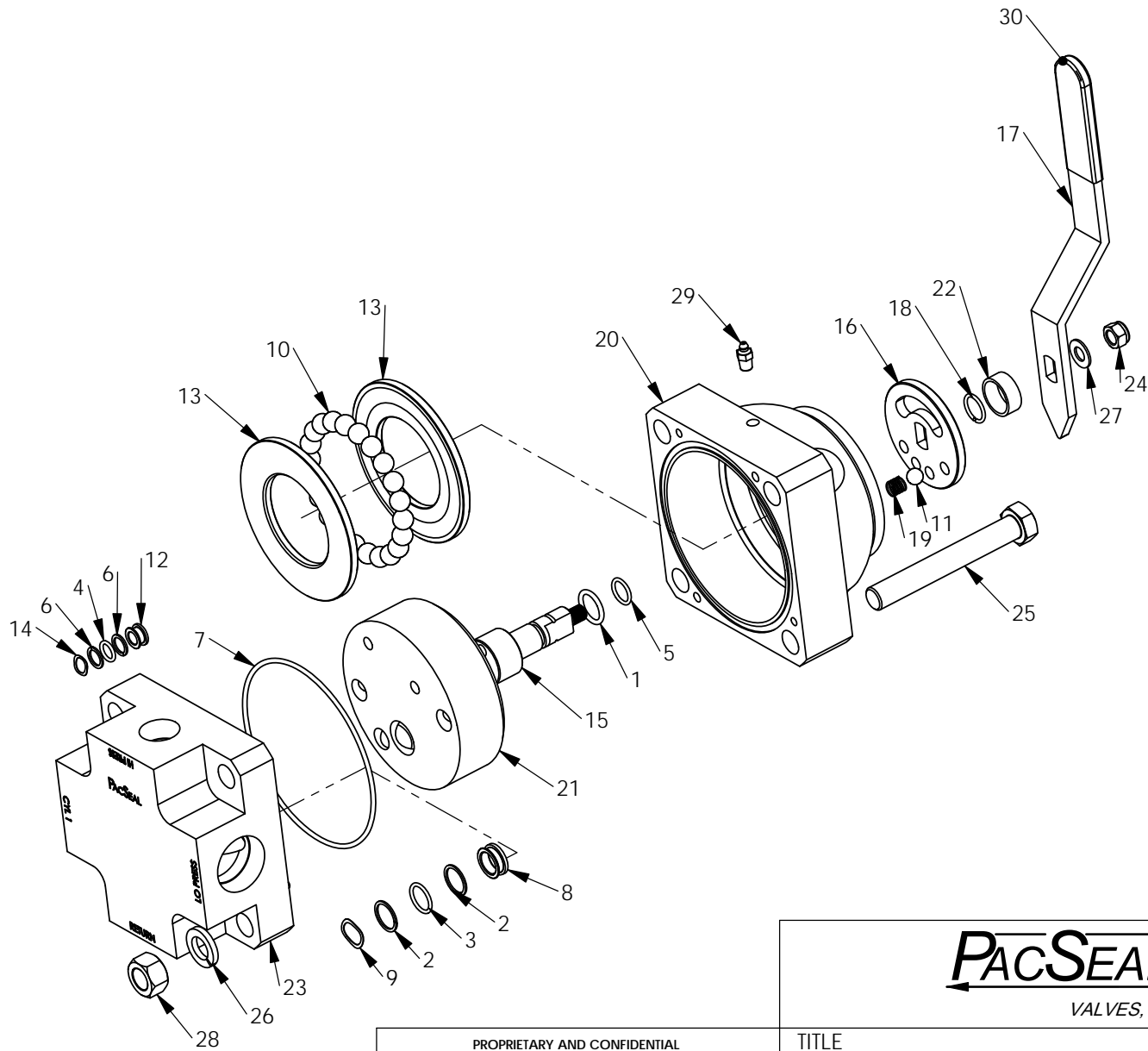
-	-	-
-	-	-
REV	ECN	DATE

PacSEAL HYDRAULICS INC.

VALVES, ACCUMULATORS, CONTROLS

PROPRIETARY AND CONFIDENTIAL
 THE INFORMATION CONTAINED IN THIS DRAWING IS THE SOLE PROPERTY OF PacSeal Hydraulics. ANY REPRODUCTION IN PART OR AS A WHOLE WITHOUT THE WRITTEN PERMISSION OF PacSeal Hydraulics IS PROHIBITED.

TITLE	SIZE	DWG. NO.	REV
SV-150DP, Inline Ported	A	40-1532	1
SCALE: 1:4	WEIGHT: 67	SHEET 1 OF 2	



ITEM NO.	PART NUMBER	DESCRIPTION	QTY.
1	23-1122	O-Ring	1
2	23-1331	Backup Ring	4
3	23-1332	O-Ring	2
4	23-1337	O-Ring	1
5	23-1352	O-Ring	1
6	23-1414	Backup Ring	2
7	23-1419	O-Ring	1
8	40-0007	Seal Ring	2
9	40-0027	Wave Spring	2
10	40-0092	Ball, Bearing	22
11	40-0174	Ball, Bearing	1
12	40-0219	Seal Ring, SV-50	1
13	40-0226	Thrust Washer	2
14	40-0237	Wave Spring	1
15	40-0276	Shaft	1
16	40-0278	Detent Disc, SV-100 DP	1
17	40-0281	Handle	1
18	40-0288	Retaining Ring	1
19	40-0295	Spring	1
20	40-0354	Housing, SV-150	1
21	40-0575	Rotor, Dual Pressure SV-150 DP	1
22	40-0773	Spacer, Handle	1
23	40-2373	Body, SV-150 DP, 1-1/2" Nom	1
24	50-0093	Nut, Shaft	1
25	50-0102	Bolt	4
26	50-0105	Lock Washer	4
27	50-0108	Washer, Shaft	1
28	50-0111	Hex Nut	4
29	50-0176	Grease Fitting	1
30	50-0236	Grip, Handle	1

PacSeal HYDRAULICS INC.

VALVES, ACCUMULATORS, CONTROLS

PROPRIETARY AND CONFIDENTIAL
 THE INFORMATION CONTAINED IN THIS DRAWING IS THE SOLE PROPERTY OF PacSeal Hydraulics. ANY REPRODUCTION IN PART OR AS A WHOLE WITHOUT THE WRITTEN PERMISSION OF PacSeal Hydraulics IS PROHIBITED.

TITLE
 SV-150DP, Inline Ported

SIZE A	DWG. NO. 40-1532	REV 1
SCALE: 1:5	WEIGHT: 67	SHEET 2 OF 2