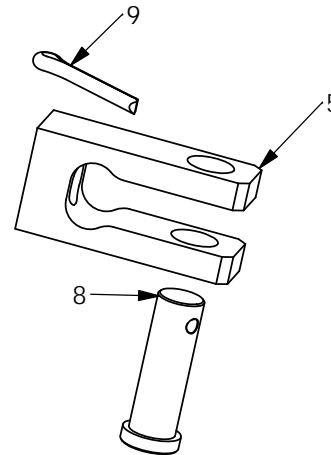
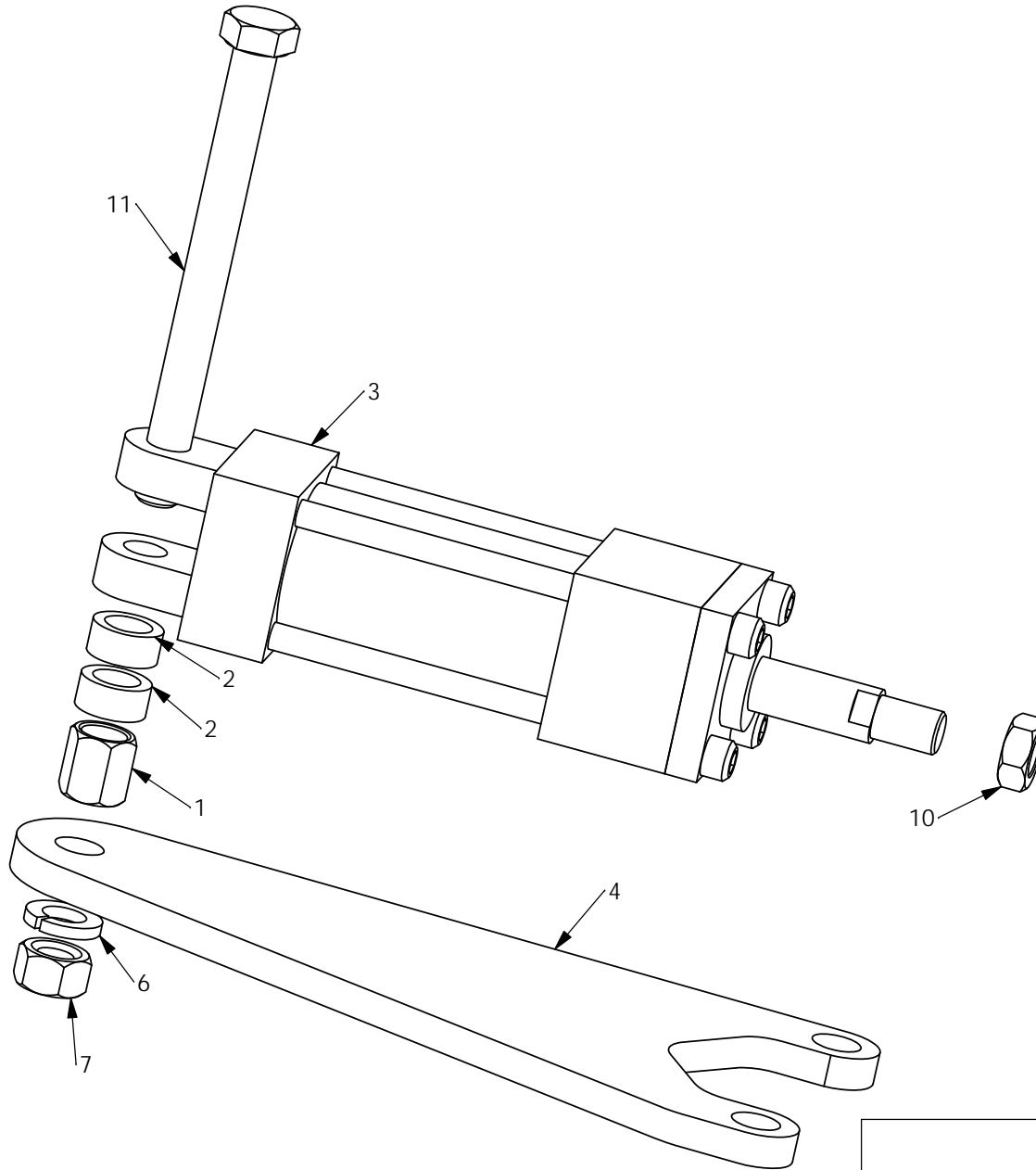


# Hyd Cylinder Kit

ITEM NO.	PART NUMBER	DESCRIPTION	QTY.
1	40-0558	Spacer Nut, AAC-302	1
2	40-0559	Spacer, AAC-302	2
3	40-1412	Peninsular LH3 Hyd Cylinder	1
4	40-1413	Bracket, Hydraulic Cylinder	1
5	40-2149	Clevis, AAC-302 Remote	1
6	50-0104	Lock Washer	1
7	50-0110	Hex Nut	1
8	50-0145	Clevis Pin	1
9	50-0146	Cotter Pin	1
10	50-0163	Hex Jam Nut	1
11	50-0165	Hex Head Bolt	1



**PACSEAL HYDRAULICS INC.**

VALVES, ACCUMULATORS, CONTROLS

PROPRIETARY AND CONFIDENTIAL THE INFORMATION CONTAINED IN THIS DRAWING IS THE SOLE PROPERTY OF PacSeal Hydraulics. ANY REPRODUCTION IN PART OR AS A WHOLE WITHOUT THE WRITTEN PERMISSION OF PacSeal Hydraulics IS PROHIBITED.			-	-	-
REV	ECN	DATE			

TITLE  
 LH3 Hydraulic Cylinder w/  
 Bracket Kit  
 1.5 Dia x 2.13 Stroke

SIZE <b>A</b>	DWG. NO. <b>40-2088</b>	REV <b>2</b>
SCALE: 1:2	WEIGHT: 9	SHEET 1 OF 1