

-	-	-
REV	ECN	DATE

**PACSEAL HYDRAULICS INC.**

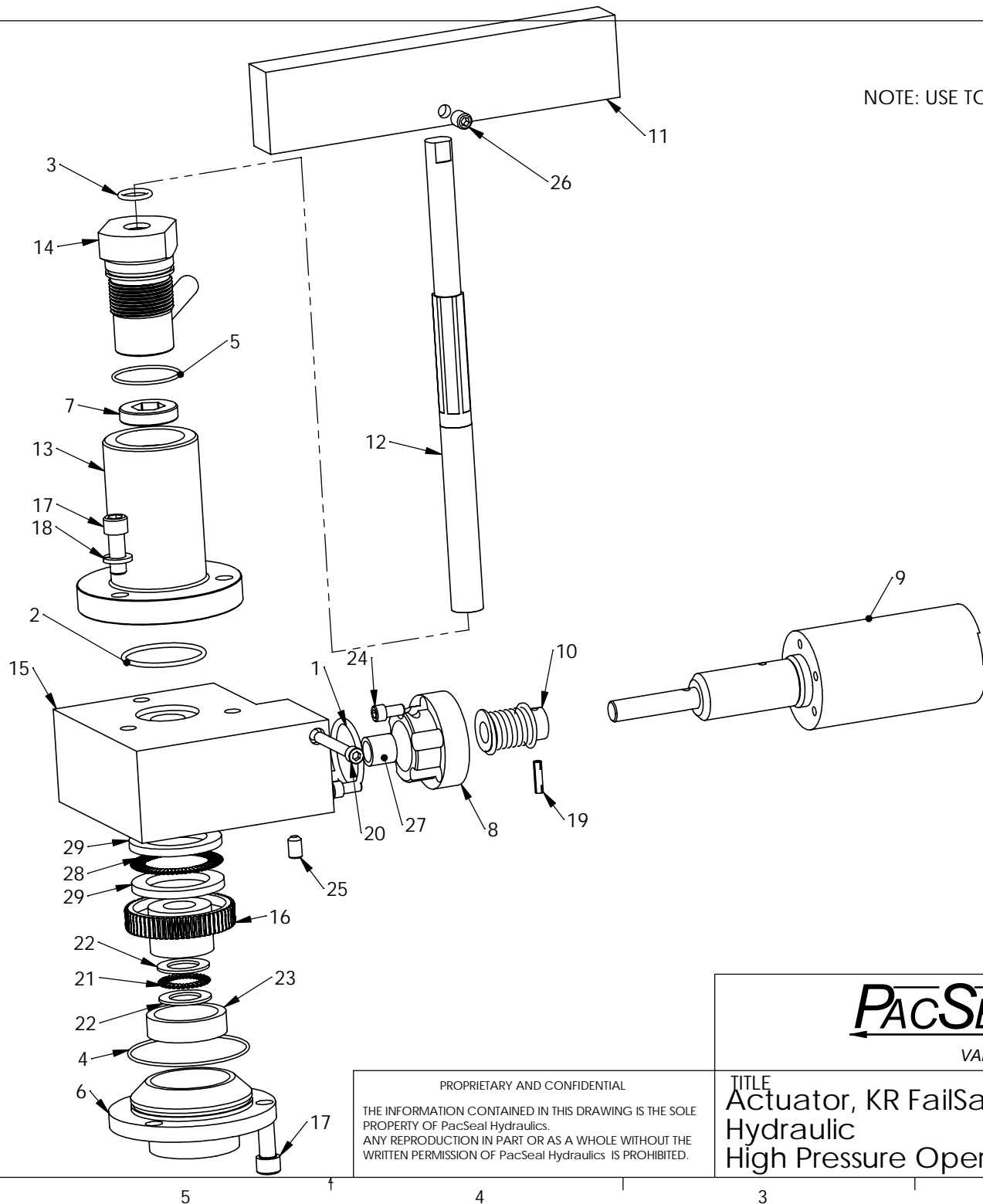
VALVES, ACCUMULATORS, CONTROLS

PROPRIETARY AND CONFIDENTIAL  
THE INFORMATION CONTAINED IN THIS DRAWING IS THE SOLE PROPERTY OF PacSeal Hydraulics. ANY REPRODUCTION IN PART OR AS A WHOLE WITHOUT THE WRITTEN PERMISSION OF PacSeal Hydraulics IS PROHIBITED.

TITLE  
Actuator, KR FailSafe Hydraulic High Pressure Operator

SIZE <b>A</b>	DWG. NO. <b>40-4981</b>	REV <b>2</b>
SCALE: 1:4	WEIGHT: 32	SHEET 1 OF 2

NOTE: USE TOOL 41-0089 TO INSTALL # 23 ROLLER BEARING



ITEM NO.	PART NUMBER	DESCRIPTION	QTY.
1	23-1123	O-Ring	1
2	23-1356	O-Ring	1
3	23-1385	O-Ring	1
4	23-1404	O-Ring	1
5	23-1405	O-Ring	1
6	40-0414	Adapter Plate, FailSafe	1
7	40-0416	Fail Safe Collar	1
8	40-0715	Hydraulic Adapter	1
9	40-0719	Motor, KR-FailSafe Hyd	1
10	40-2742	Worm, FS-HP Actuator	1
11	40-3237	Handle, Fail Safe HP	1
12	40-3960	Fail Safe Shaft, KR	1
13	40-3962	Housing, KR-Shaft Adjustment	1
14	40-3964	Fail Safe Nut Assy	1
15	40-4978	Fail Safe Body	1
16	40-4979	Worm Gear, FailSafe	1
17	50-0072	SHCS	6
18	50-0103	Lock Washer	3
19	50-0154	Roll Pin	1
20	50-0156	SHCS, 1/4-20UN	1
21	50-0157B	Bearing, NTA-1220	1
22	50-0157T	Thrust Washer, TRB-1220	2
23	50-0158	Roller Bearing	1
24	50-0215	SHCS, Zn PI	5
25	50-0223	Hex Socket Set Screw	2
26	50-0482	Set Screw, Cup Point	2
27	50-0483	Roller Bearing	1
28	50-0686	Thrust Bearing, NTA-2435	1
29	50-0687	Thrust Washer, TRF-2435	2

**PACSEAL HYDRAULICS INC.**

VALVES, ACCUMULATORS, CONTROLS

PROPRIETARY AND CONFIDENTIAL  
 THE INFORMATION CONTAINED IN THIS DRAWING IS THE SOLE  
 PROPERTY OF PacSeal Hydraulics.  
 ANY REPRODUCTION IN PART OR AS A WHOLE WITHOUT THE  
 WRITTEN PERMISSION OF PacSeal Hydraulics IS PROHIBITED.

TITLE  
 Actuator, KR FailSafe  
 Hydraulic  
 High Pressure Operator

SIZE <b>A</b>	DWG. NO. <b>40-4981</b>	REV <b>2</b>
SCALE: 2:7	WEIGHT: 32	SHEET 2 OF 2